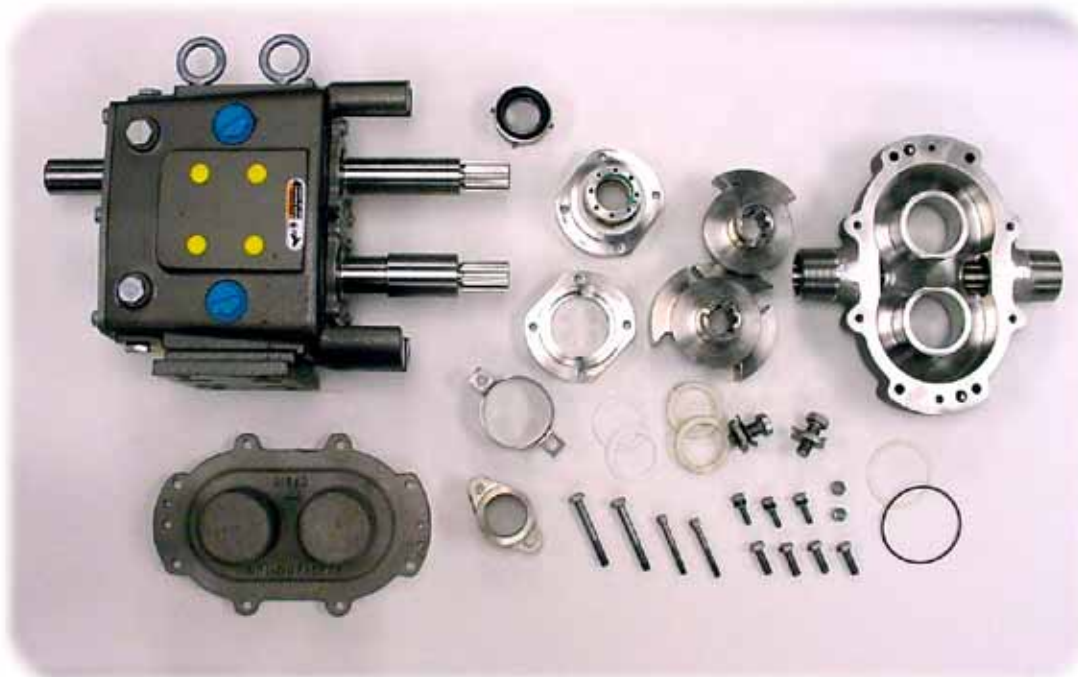


Industrial PD Parts List



**ISO 9001
CERTIFIED**



Waukesha Cherry-Burrell

® An SPX Process Equipment Operation



THE WILLIAMS - CARVER COMPANY, INC.
4001 MISSION RD P.O. BOX #3140
KANSAS CITY, KS 66103-0140
Office (913) 236-4949 Fax (913) 236-9331
www.williamscarver.com

Effective 3/1/05

Industrial PD Parts



PL5061

INDEX

INDUSTRIAL PD PUMP PARTS PRICE LIST

PRICING IN U.S. DOLLARS

<u>PAGE</u>	<u>PRODUCT</u>
1.....	5040 - 5040DI Parts List
9.....	5050 - 5050DI - 5060 - 5060DI Parts List
19.....	5070 - 5070DI Parts List
27.....	5080 Parts List
37.....	25I - 25DI Parts List
43.....	55I - 55DI Parts List
49.....	125I - 125DI Parts List
55.....	200I - 201DI Parts List
61.....	300I Parts List
67.....	3UG Parts List

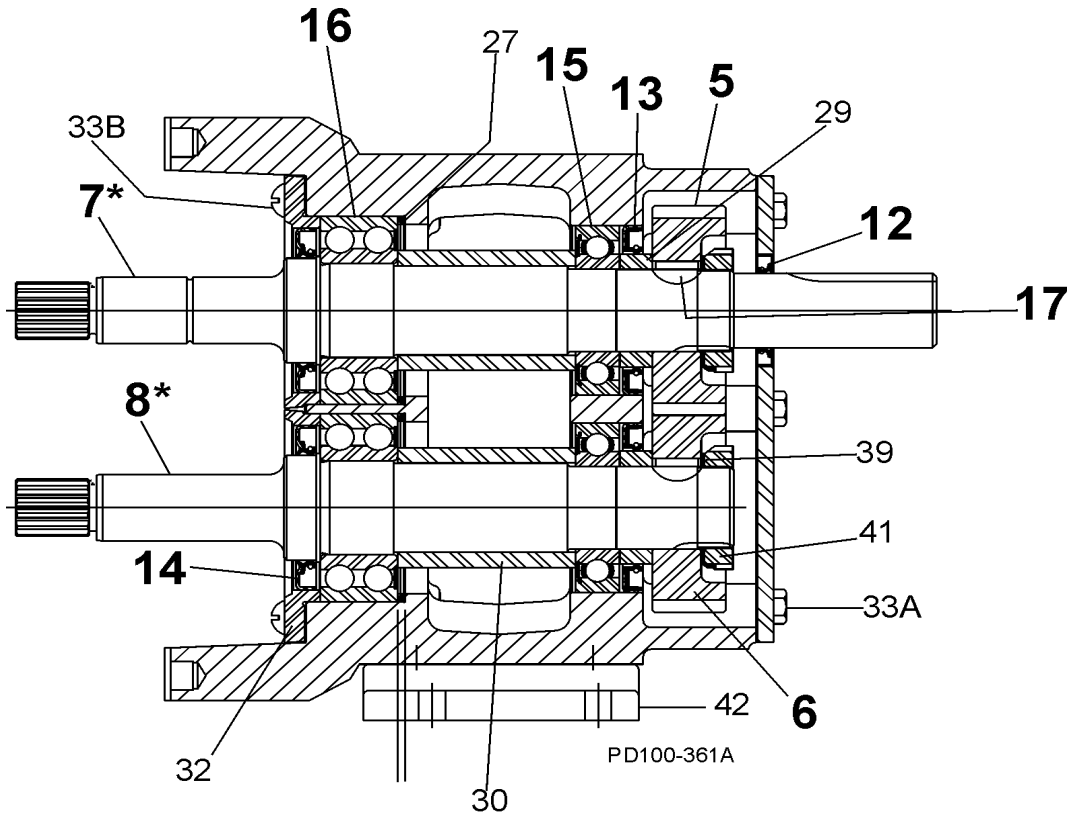
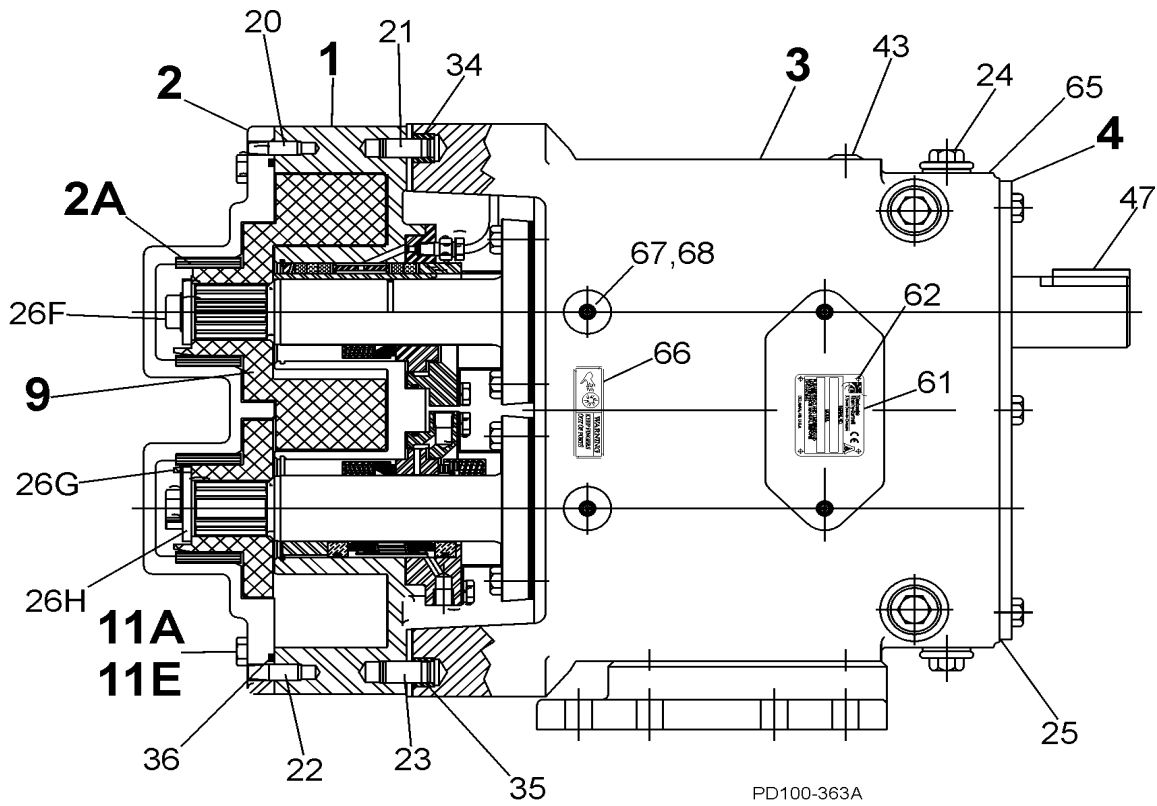
5040 - 5040DI PUMP PARTS PRICE LIST

ITEM NO.	DESCRIPTION	QTY. PER PUMP	PART NO.	NOTES
1	5040 Pump Body, 1-1/2" NPT Mech. Seal	1	40058	1
	5040 Pump Body, 1-1/2" NPT, Packing	1	40057	1
	5040 Pump Body, 1-1/2" 150# Flg., Mech. Seal	1	40787	1
	5040 Pump Body, 1-1/2" 150# Flg., Packing	1	40789	1
	5040DI Pump Body, 1-1/2" Female NPT Mech. Seal	1	40883	1
	5040DI Pump Body, 1-1/2" Female NPT, Packing	1	40882	1
2	5040 Pump Cover	1	0B1 002 000	
	5040DI Pump Cover	1	BD1 002 001	
	5040 Jacketed Cover	1	0B1 002 J10	
	Pump Cover Vented - Complete Assembly			
	5040 Manual	1	020 022 001	
2A	Cover Bushing, Carbon	2	0B1 048 000	
	Cover Bushing, Alloy 88	2	0B1 048 W00	
	Cover Bushing, Rulon	2	35382	
3	Gear Case, CI	1	40053	
4	Gear Case Cover, Steel (Includes Item 12 Oil Seal)	1	040 106 000	
5	Gear, Drive Shaft, Spur (Replaces 030 007 001)	1	107999	
6	Gear, Short Shaft, Spur (Replaces 030 007 002)	1	107999	
7	Drive Shaft, Std., Mechanical Seal	1	40065	
	Drive Shaft, Opt.17-4PH, Mech. Seal	1	35343	
	Drive Shaft, Packing	1	40059	
7A/8A*	Shaft Assembly Pusher	1	109351	27
8	Short Shaft, Std., Mechanical Seal	1	40066	
	Short Shaft, Opt.17-4PH, Mech. Seal	1	35344	
	Short Shaft, Packing	1	40060	
9	5040 Rotor, Twin Wing, Alloy 88	2	0B1 010 200	2
	5040 Rotor, Twin Wing, 316SS	2	0B1 010 2S0	2
	5040DI Rotor, Twin Wing, Ductile Iron	1	0B1 010 700	2
11A	HHCS, Long, 5/16-18 x 2.5"	4	30-96	
	HHCS, Long, 5/16-18 x 5.0", Jacketed Cover	4	30-320	
11E	HHCS, Short, 5/16-18 x 1.0"	4	30-34	
	HHCS, Short, 5/16-18 x 3.5", Jacketed Cover		30-298	
12	Oil Seal, Gear Case Cover	1	000 030 013	
13	Oil Seal, Gear Case Rear	2	000 030 014	
14	Grease Seal, Bearing Retainer	2	40062	
	Bearing Isolator, includes Bearing Retainer*	2	X07561-1	28
15	Ball Bearing, Rear	2	030 035 000	
16	Ball Bearing, Front	2	030 036 000	
17	Key, Gear	2	BD0 037 000	

NOTES:

1. Contact Factory with Serial Number of pump for Part Number.
2. Standard clearances and finishes for Rotor Part Numbers shown. Contact Factory for optional clearances and finishes.
27. Recommended tool.
28. See Pump Notes PN20-01.

5040 - 5040DI Pump Parts Diagram



*** Note:** 7 shown is packing shaft.
8 shown is mechanical seal shaft.

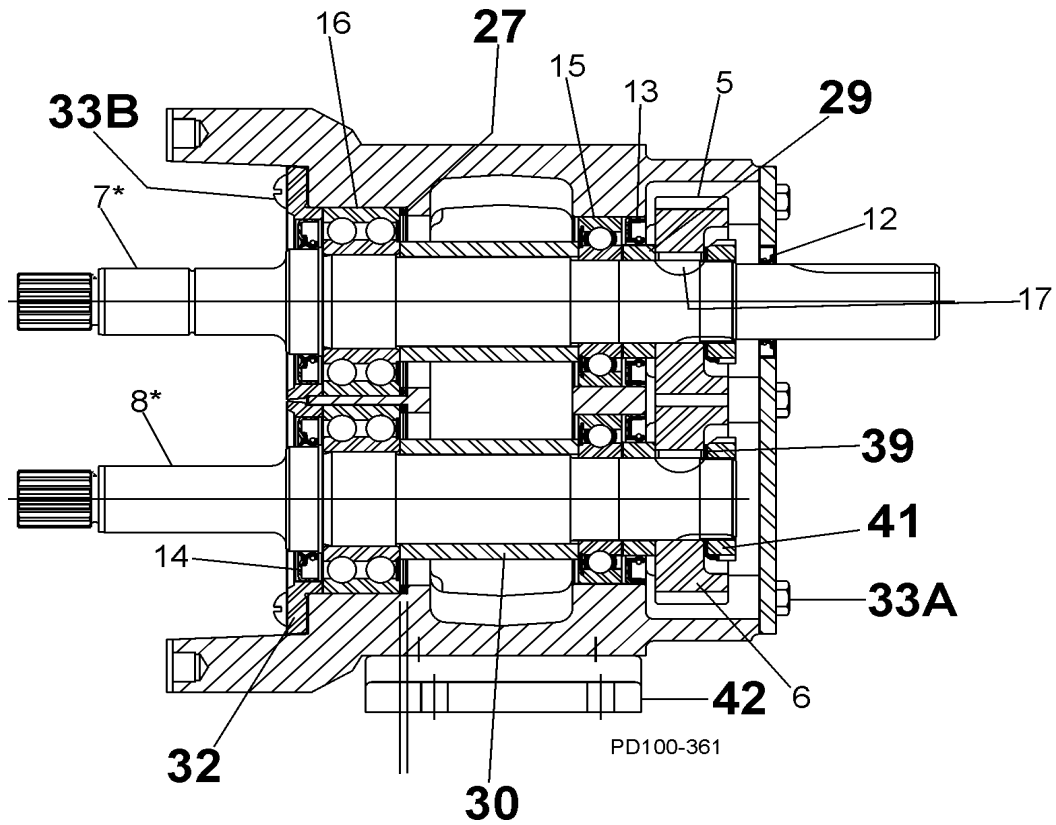
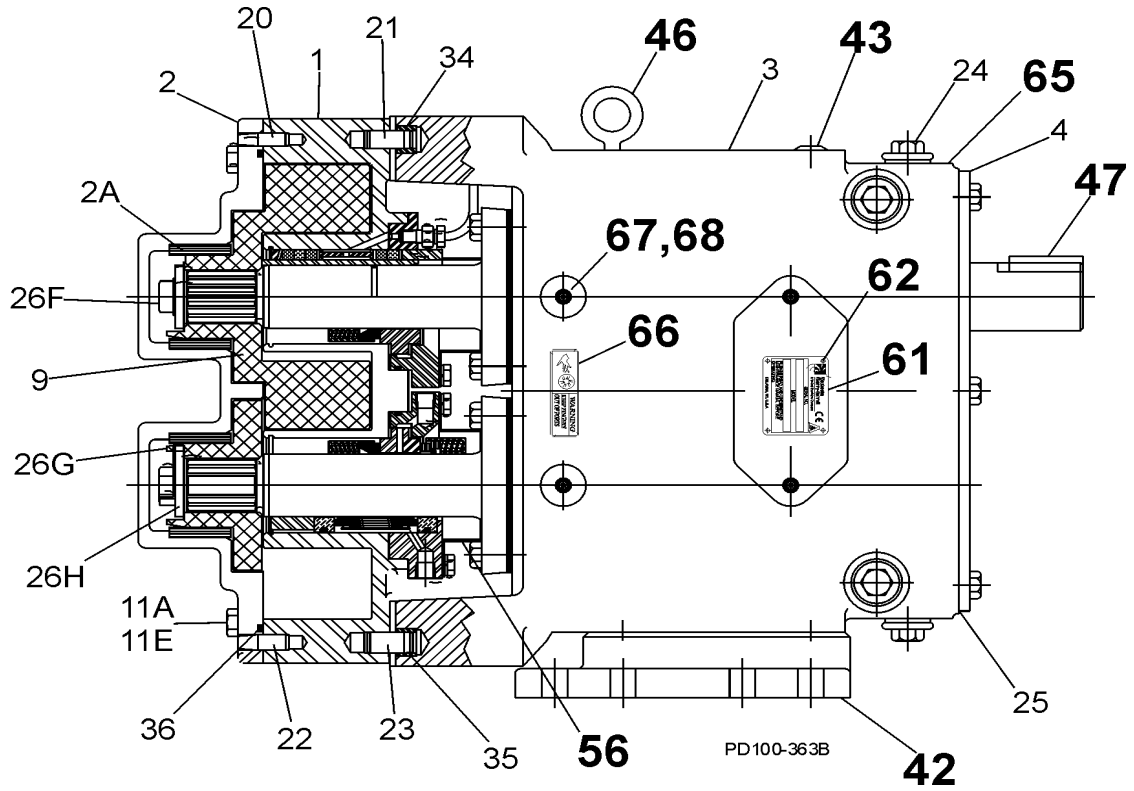
5040 - 5040DI PUMP PARTS PRICE LIST

ITEM NO.	DESCRIPTION	QTY. PER PUMP	PART NO.	NOTES
20	Dowel Pin, Upper Cover Side	1	BD0 040 000	
21	Dowel Pin, Upper Gear Case Side	1	BD0 040 200	
22	Dowel Pin, Lower Cover Side	1	BD0 040 100	
23	Dowel Pin, Lower Gear Case Side	1	BD0 040 300	
24	Plug with Washer, 1/2-20	6	000 046 003	40
	Oil Plug, M20 x 1.5"	5	115798	41, 42
	Oil Level Indicator, M20 x 1.5"	1	115799	41, 42
25	Silicone Sealant	1	000 142 301	
26F	Rotor Retaining HHCS, 1/2-13 x 1.25"	2	30-36X	
26G	Rotor Lock Clip	2	0B1 052 C00	
26H	Washer, Rotor Retainer	2	0B1 052 A00	
27	Shim Kit	2	117890	
29	Spacer, Gear to Rear Bearing	2	030 055 000	
30	Bearing Spacer	2	030 055 001	
31	Retainer, Grease		N/A	
32	Bearing Retainer, Front	2	030 080 000	
33A	5/16-18 x .75" HHCS, Gear Case Cover	6	30-283	
33B	5/16-18 x .75" BSHCS, Bearing Retainer	8	30-296	
33C	5/16" Flat Washer	6	43-194	
34	Dowel Bushing, Upper	1	BD0 116 000	
35	Dowel Bushing, Lower	1	BD0 116 100	
* * * * *	O-Ring, Pump Cover, Buna N	1	N70261	
	O-Ring, Pump Cover, EPDM	1	E70261	
	O-Ring, Pump Cover, FKM	1	V70261	
	O-Ring, Pump Cover, Teflon Encapsulated	1	T80261	
	O-Ring, Pump Cover, Silicone	1	S75261	
39	Lock Washer, Gear	2	CD0 036 W00	
41	Locknut, Gear	2	CD0 036 N00	
41A	Gear Nut Driver	1	109282	27
41B	Gear End Shaft Thread Chaser	1	109288	27
42	Gear Case Shim, CI	1	40323	
43	Plastic Cap Plug	8	000 121 002	
44	3/8-16 x 1.0" SHCS, Gear Case Shim	4	30-344	
45*	Body Retaining Screw, 1/4 -20 x 2"	2	30-211	
46	Eye Bolt		N/A	
47	Key, Coupling - 1/4 x 1/4 x 1-3/4"	1	000 037 002	
48*	Cleanout Plug	2	41013	
56	Shaft Guard	2	111575	
61	Name Plate	1	001 061 015	
62	#2 x .125" RHDS	4	30-355	
65	Caution Plate (Replaces 33-22)	2	33-62	
66	Warning Label	2	33-63	
67	Grease Fitting, 1/8"	4	BD0 092 000	
68	Plastic Cap, Grease Fitting	4	BD0 093 000	

NOTES:

- 27. Recommended tool.
- 40. Pumps shipped prior to 5/15/03
- 41. Pumps shipped after 5/15/03
- 42. You need the oil plug **and** the oil level indicator.

5040 - 5040DI Pump Parts Diagram



* Note: 7 shown is packing shaft.
8 shown is mechanical seal shaft.

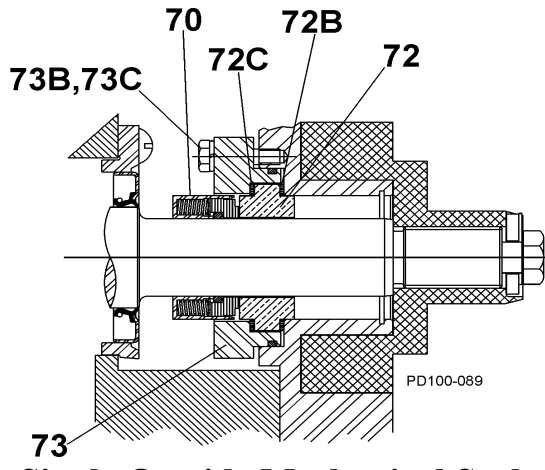
5040 - 5040DI MECHANICAL SEAL PARTS PRICE LIST

ITEM NO.	DESCRIPTION	QTY. PER PUMP	PART NO.	NOTES
MECHANICAL SEAL PARTS				
SINGLE OUTSIDE SEAL				
70	Crane #8B2 Outside Seal, Carbon	2	0B1 114 FP0	
	Crane #8B2 Outside Seal, Silicon Carbide	2	113637	
72	"T" Seat, Plain, Ceramic	2	025 014 012	
	"T" Seat, Plain, Tungsten Carbide	2	025 014 013	
	"T" Seat, Plain, Silicon Carbide	2	025 014 016	
72B, 72C	"T" Seat Gasket, Inner and Outer, PTFE	4	025 042 001	
73	Gland, Plain	2	0B1 034 001	
73B	HHCS, Gland Bolt, 1/4 - 20 x 1.0"	8	30-93	
73C	Lock Washer, 1/4"	8	43-22	
SINGLE INSIDE SEAL				
* * * * * * *	Crane #9 Inside Seal , Carbon	2	0B1 114 000	
	Crane #9 Inside Seal , Blister Resistent Carbon	2	114845	
	Crane #9 Inside Seal , Ceramic	2	35623	
	Crane #9 Inside Seal , Silicon Carbide	2	35633	
	Crane #9 Inside Seal , Tungsten Carbide	2	35634	
	Crane #9 Inside Seal , Glass Filled Chemlon	2	33864	
	Crane #9 Inside Seal , Carbon w/ 316 & Hast C	2	112532	
* * *	"T" Seat, Plain, Ceramic	2	025 014 012	
	"T" Seat, Plain, Tungsten Carbide	2	025 014 013	
	"T" Seat, Plain, Silicon Carbide	2	025 014 016	
72B, 72C	"T" Seat Gasket, Inner and Outer, PTFE	4	025 042 001	
73	Gland, Plain	2	0B1 034 001	
73B	HHCS, Gland Bolt, 1/4-20 x 1.0"	8	30-93	
73C	Lock Washer, 1/4"	8	43-22	
DOUBLE INSIDE - OUTSIDE SEAL				
* *	Crane #8B2 Outside Seal, Carbon	2	0B1 114 FP0	
	Crane #8B2 Outside Seal, Silicon Carbide	2	113637	
* * * * * * *	Crane #9 Inside Seal , Carbon	2	0B1 114 000	
	Crane #9 Inside Seal , Blister Resistent Carbon	2	114845	
	Crane #9 Inside Seal , Ceramic	2	35623	
	Crane #9 Inside Seal , Silicon Carbide	2	35633	
	Crane #9 Inside Seal , Tungsten Carbide	2	35634	
	Crane #9 Inside Seal , Glass Filled Chemlon	2	33864	
	Crane #9 Inside Seal , Carbon w/ 316 & Hast C	2	112532	
* * *	"T" Seat, Flushed, Ceramic	2	025 014 027	
	"T" Seat, Flushed, Tungsten Carbide	2	025 014 028	
	"T" Seat, Flushed, Silicon Carbide	2	025 014 031	
72B /72C	"T" Seat Gasket, Inner and Outer, PTFE	4	025 042 001	
73A	Gland, Flushed	2	0B1 034 003	
73B	HHCS, Gland Bolt, 1/4 - 20 x 1.0"	8	30-93	
73C	Lock Washer, 1/4"	8	43-22	
* * * *	O-Ring, Gland, FFKM	2	K75147	
	O-Ring, Gland, Buna N	2	N70147	
	O-Ring, Gland, EPDM	2	E70147	
	O-Ring, Gland, FKM	2	V70147	

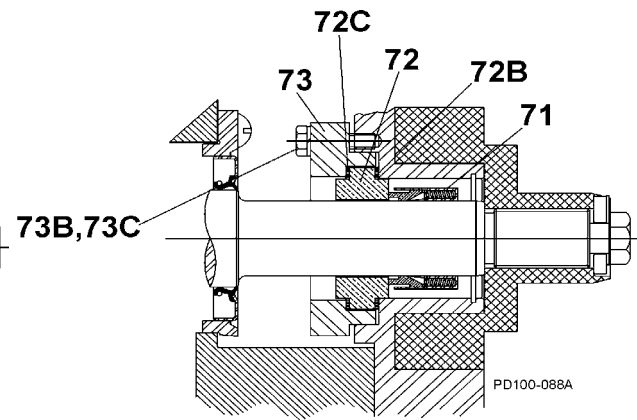
NOTES:

*Recommended Spare Parts

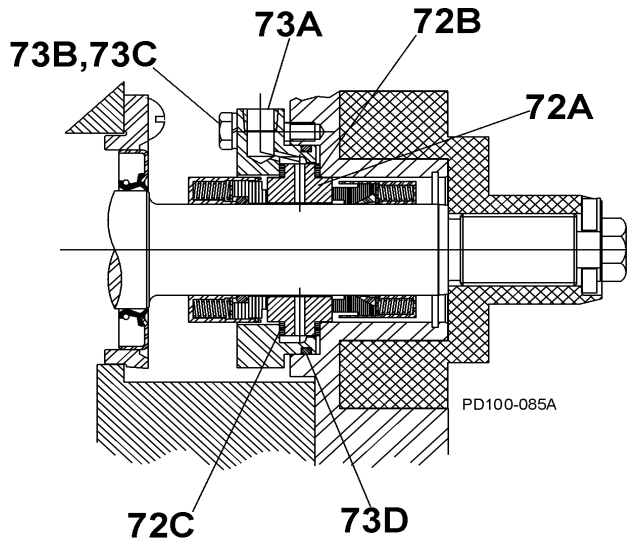
5040 - 5040DI Mechanical Seal Parts Diagram



Single Outside Mechanical Seal



Single Inside Mechanical Seal



Double Inside - Outside Seal

5040 - 5040DI PACKING AND VENTED COVER PARTS PRICE LIST

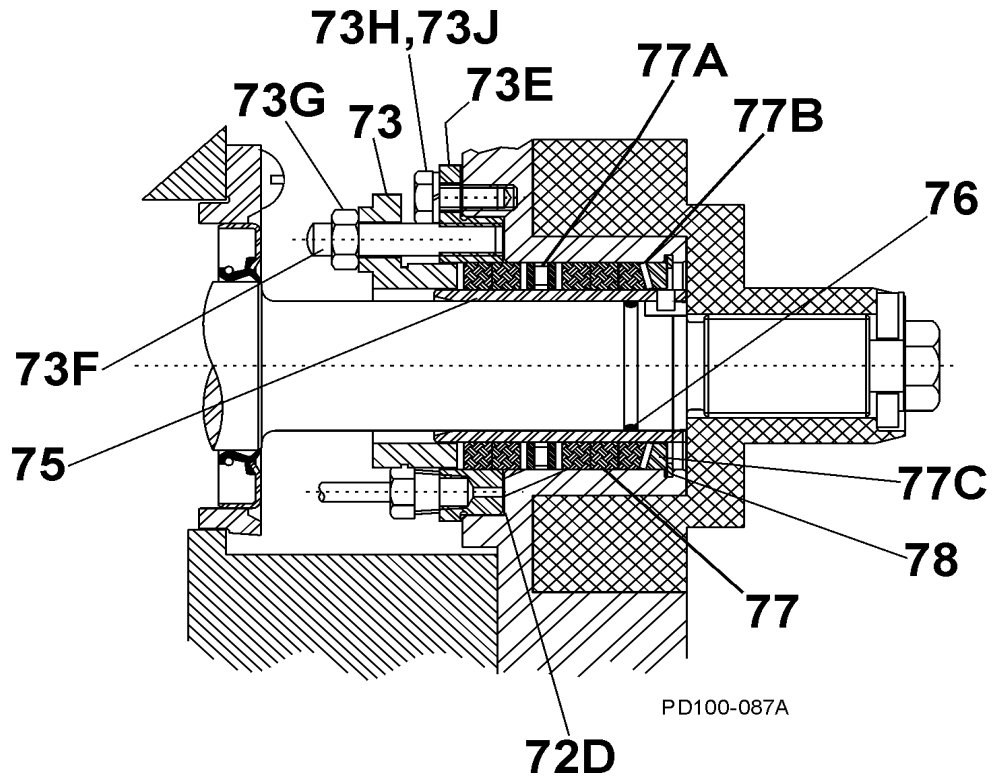
ITEM NO.	DESCRIPTION	QTY. PER PUMP	PART NO.	NOTES
PACKING				
72D	Gasket Insert	2	0B1 043 300	
73	Gland (Replaces 0B1 004 000)	2	112050	
73E	Gland, Insert	2	0B1 050 200	
73F	Stud, Packing Gland	4	200 050 000	
73G	Hex Nut, 5/16"-18	4	36-41	
73H	HHCS, 1/4-20 x 0.5"	8	30-62	
73J	Lock Washer, 1/4"	8	43-22	
* 75	Sleeve, SS	2	0B1 098 000	
* 75	Sleeve, Ceramic Coated	2	0B1 098 001	
* 76	O-Ring, Shaft, Buna N	2	N70024	
* 76	O-Ring, Shaft, EPDM	2	E70024	
* 76	O-Ring, Shaft, FKM	2	V70024	
77	Packing	10 Rings	0B1 033 000	
77A	Lantern Ring	2	0B1 047 000	
77B	Packing Spacer	2	0B1 033 100	
77C	Packing, Retaining Ring	2	0B1 051 000	
78	Retainer	2	40067	
MANUAL VENTED COVER				
101	Relief Cover	1	020 002 001	
102	Adjusting Screw	1	000 060 002	
104	Adjusting Screw Jam Nut	1	36-92	
105	Relief Spring	1	000 076 003	
118	Adapter	1	020 071 000	
119	HHCS, 5/16-18 x .75"	2	30-283	
* 120	Piston O-Ring, Teflon Encap.	2	T80222	
* 120	Piston O-Ring, Buna N	1	N70222	25
* 120	Piston O-Ring, EPDM	1	E70222	25
* 120	Piston O-Ring, FKM	1	V70222	
* 120	Piston O-Ring, FFKM	1	K75222	
121	Bushing, Upper	1	020 116 002	
122	Bushing, Lower	1	020 116 003	
* 123	Adapter O-Ring, Teflon Encap.	1	T80034	
* 123	Adapter O-Ring, Buna N	1	N70034	
* 123	Adapter O-ring, EPDM	1	E70034	
* 123	Adapter O-Ring, FKM	1	V70034	
* 123	Adapter O-ring, FFKM	1	K75034	
124	Spring, Retainer	1	020 176 000	
125	Piston	1	020 073 000	
SEAL FLUSH				
72E	Fittings	4	STD 299 022	32
72F	Tubing, 6"	4	STD 301 002	32
72G*	Pipe Plugs, 1/8"	4	78-9	33

NOTES:

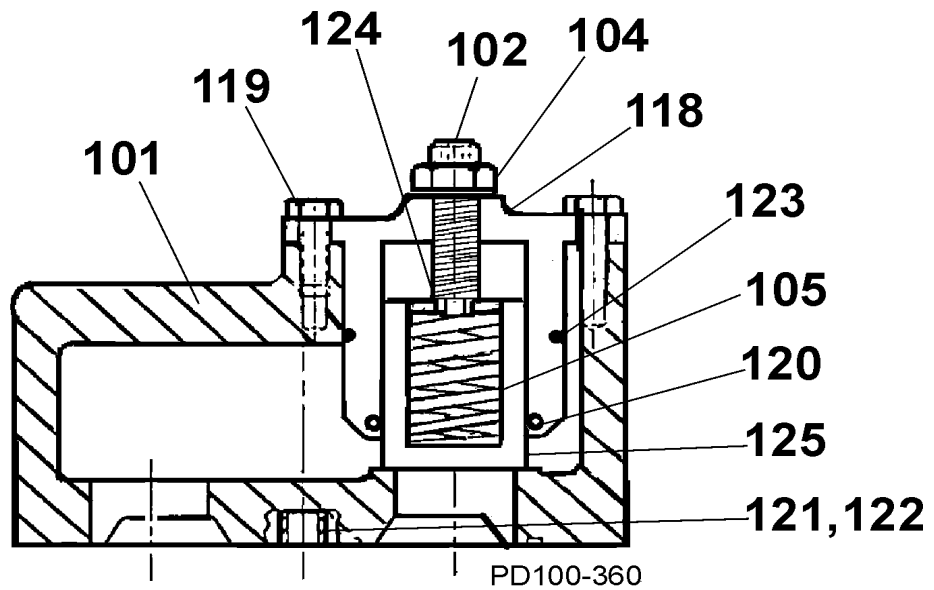
- 25. Sold in packages of 25 only.
- 32. Required for seals with flush only.
- 33. Required for seals without flush only.

*** Recommended Spare Parts**

5040 - 5040DI Packing and Vented Cover Parts Diagram



Packing Diagram



Vented Cover Diagram

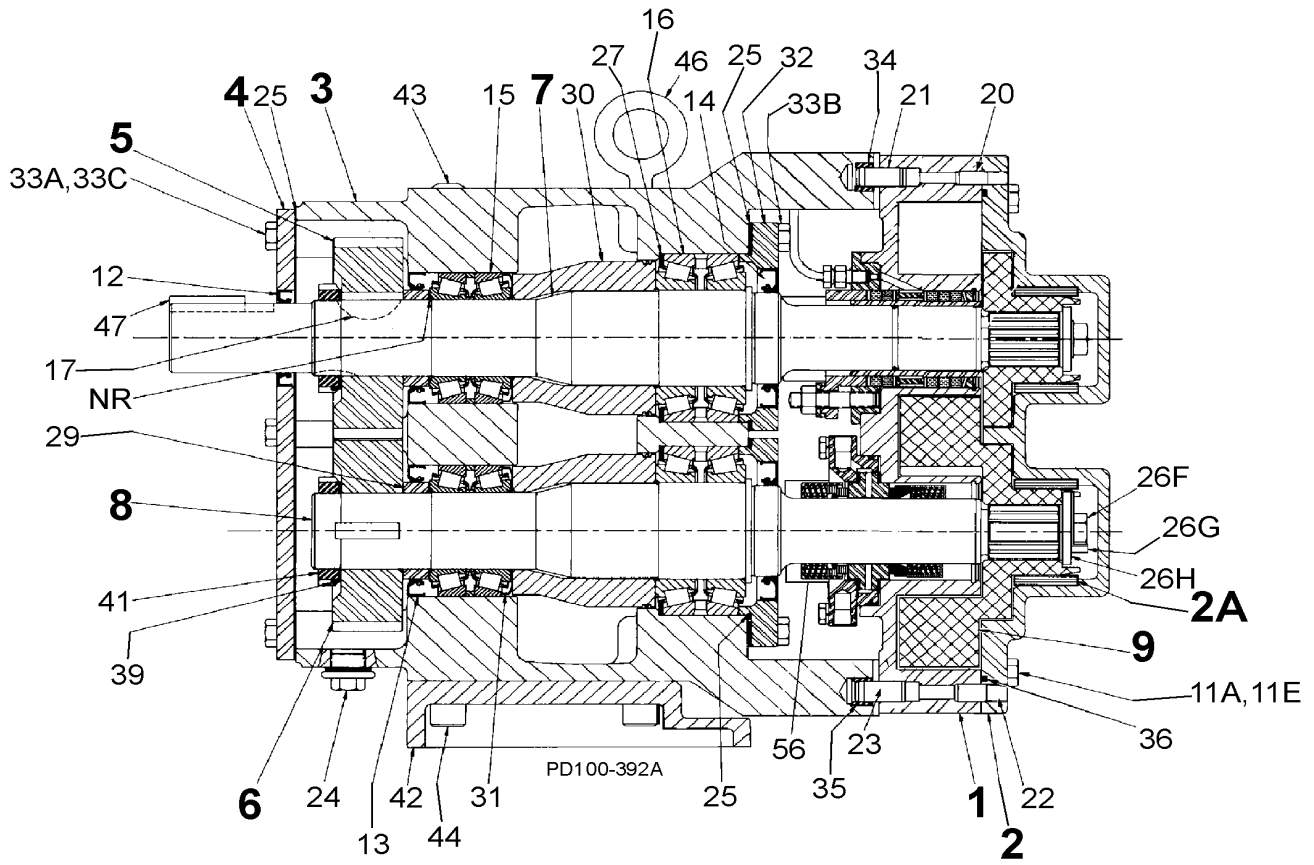
5050 - 5050DI - 5060 - 5060DI PUMP PARTS PRICE LIST

ITEM NO.	DESCRIPTION	QTY. PER PUMP	PART NO.	NOTES
1	5050 Pump Body, 2" NPT Mech. Seal	1	40091	1
	5050 Pump Body, 2" 150# RF Flg. Mech. Seal	1	40791	1
	5050 Pump Body, 2" NPT, Packing	1	40088	1
	5050 Pump Body, 2" 150# RF Flg., Packing	1	40793	1
	5050DI Pump Body, 2" NPT Female, Mech. Seal	1	40885	1
	5050DI Pump Body, 2" NPT Female, Packing	1	40884	1
	5060 Pump Body, 2-1/2" NPT Mech. Seal	1	40081	1
	5060 Pump Body, 2-1/2" 150# RF Flg. Mech. Seal	1	40795A	1
	5060 Pump Body, 2-1/2" NPT, Packing	1	40078	1
	5060DI Pump Body, 3" NPT Female, Mech. Seal	1	40887	1
	5060DI Pump Body, 3" NPT Female, Packing	1	40886	1
2	Pump Cover	1	0C1 002 000	
	Jacketed Cover	1	0C1 002 J10	
	DI Pump Cover	1	CD1 002 001	
	Pump Cover Vented - Complete Assembly			
	Manual	1	050 022 001	
2A	Cover Bushing, Carbon	2	0C1 048 000	
	Cover Bushing, Alloy 88	2	0C1 048 W00	
	Cover Bushing, Rulon	2	35383	
3	Gear Case, CI	1	40054	
4	Gear Case Cover, Steel (Includes Item 12 Oil Seal)	1	070 106 000	
5	Gear, Drive Shaft, Spur (Replaces 060 007 001)	1	107404	
6	Gear, Short Shaft, Spur (Replaces 060 007 002)	1	107404	
7	5050 Drive Shaft, Std., Mechanical Seal	1	40086	
	5050 Drive Shaft, Opt.17-4PH, Mech. Seal	1	35345	
	5050 Drive Shaft, Packing	1	40094	
	5060 Drive Shaft, Std., Mechanical Seal	1	40076	
	5060 Drive Shaft, Opt.17-4PH, Mech. Seal	1	35347	
	5060 Drive Shaft, Packing	1	40096	
7A/8A*	Shaft Assembly Pusher	1	109352	27
8	5050 Short Shaft, Std., Mechanical Seal	1	40087	
	5050 Short Shaft, Opt.17-4PH, Mech. Seal	1	35346	
	5050 Short Shaft, Packing	1	40095	
	5060 Short Shaft, Std., Mechanical Seal	1	40077	
	5060 Short Shaft, Opt.17-4PH, Mech. Seal	1	35348	
	5060 Short Shaft, Packing	1	40097	
9	5050 Rotor, Twin Wing, Alloy 88	2	0C1 010 200	2
	5050 Rotor, Twin Wing, 316SS	2	0C1 010 2S0	2
	5050DI Rotor, Twin Wing, Ductile Iron	2	0C1 010 700	2
	5060 Rotor, Twin Wing, Alloy 88	2	0E1 010 200	2
	5060 Rotor, Twin Wing, 316SS	2	0E1 010 2S0	2
	5060DI Rotor, Twin Wing, Ductile Iron	2	0E1 010 700	2

NOTES:

- Contact Factory with Serial Number of pump for Part Number.
- Standard clearances and finishes for Rotor Part Numbers shown. Contact Factory for optional clearances and finishes.
- Recommended tool.

5050 - 5050DI - 5060 - 5060DI Pump Parts Diagram



5050 - 5050DI - 5060 - 5060DI COMMON PARTS PRICE LIST

ITEM NO.	DESCRIPTION	QTY. PER PUMP	PART NO.	NOTES
11A	5050 HHCS, Long, 3/8-16 x 3.0"	4	30-179	
	5050 HHCS, Long, 3/8-16 x 5.5", Jacketed Cover	4	30-321	
	5060 HHCS, Long, 3/8-16 x 4.25"	4	30-317	
	5060 HHCS, Long, 3/8-16 x 6.5", Jacketed Cover	4	30-322	
11E	HHCS, Short, 3/8-16 x 1.25"	4	30-60	
	HHCS, Short, 3/8-16 x 3.75", Jacketed Cover	4	30-229	
12	Oil Seal, Gear Case Cover	1	000 030 012	
13	Oil Seal, Gear Case Rear	2	000 030 011	
14	Grease Seal, Bearing Retainer	2	40084	
	Bearing Isolator, includes Std. Bearing Retainer*	2	X06925-1	28
	Bearing Isolator, includes SS Bearing Retainer*	2	X06925-2	28
15	Bearing, Rear (Obsoleted 4/97)	2	060 035 000	
	Brg. Kit (Replaces 060 035 000) (Incl. 107186 & 107187)	2	107188	
	Bearing, Rear	2	107186	
16	Bearing, Front	2	060 036 000	
17	Key, Gear	2	060 037 000	
20	Dowel Pin, Upper Cover Side	1	CD0 040 000	
21	Dowel Pin, Upper Gear Case Side	1	CD0 040 R00	
22	Dowel Pin, Lower Cover Side	1	CD0 040 100	
23	Dowel Pin, Lower Gear Case Side	1	CD0 040 R10	
24	Plug with Washer, 1/2-20	6	000 046 004	40
	Oil Plug, M20 x 1.5"	5	115798	41, 42
	Oil Level Indicator, M20 x 1.5"	1	115799	41, 42
25	Silicone Sealant (Replaces Std Gaskets & O-Ring N70041)	1	000 142 301	
26F	Rotor Retaining HHCS, 1/2-13 x 1.25"	2	30-36X	
26G	Rotor Lock Clip	2	0C1 052 C00	
26H	Washer, Rotor Retainer	2	0C1 052 A00	
27	Shim Kit	2	117891	
29	Spacer, Gear to Rear Brg. (Used w/ obsolete 060 035 000 Brg.)	2	060 055 000	
	Spacer, Gear to Rear Bearing (Used w/ new 107186 Brg.)	2	107187	
30	Bearing Spacer	2	060 055 003	
31	Retainer, Grease	2	STD 091 002	
32	Bearing Retainer, Front, Std.	2	060 080 000	
	Bearing Retainer, Front, SS	2	101812	

5050 - 5050DI - 5060 - 5060DI Common Parts Con't. and Diagram

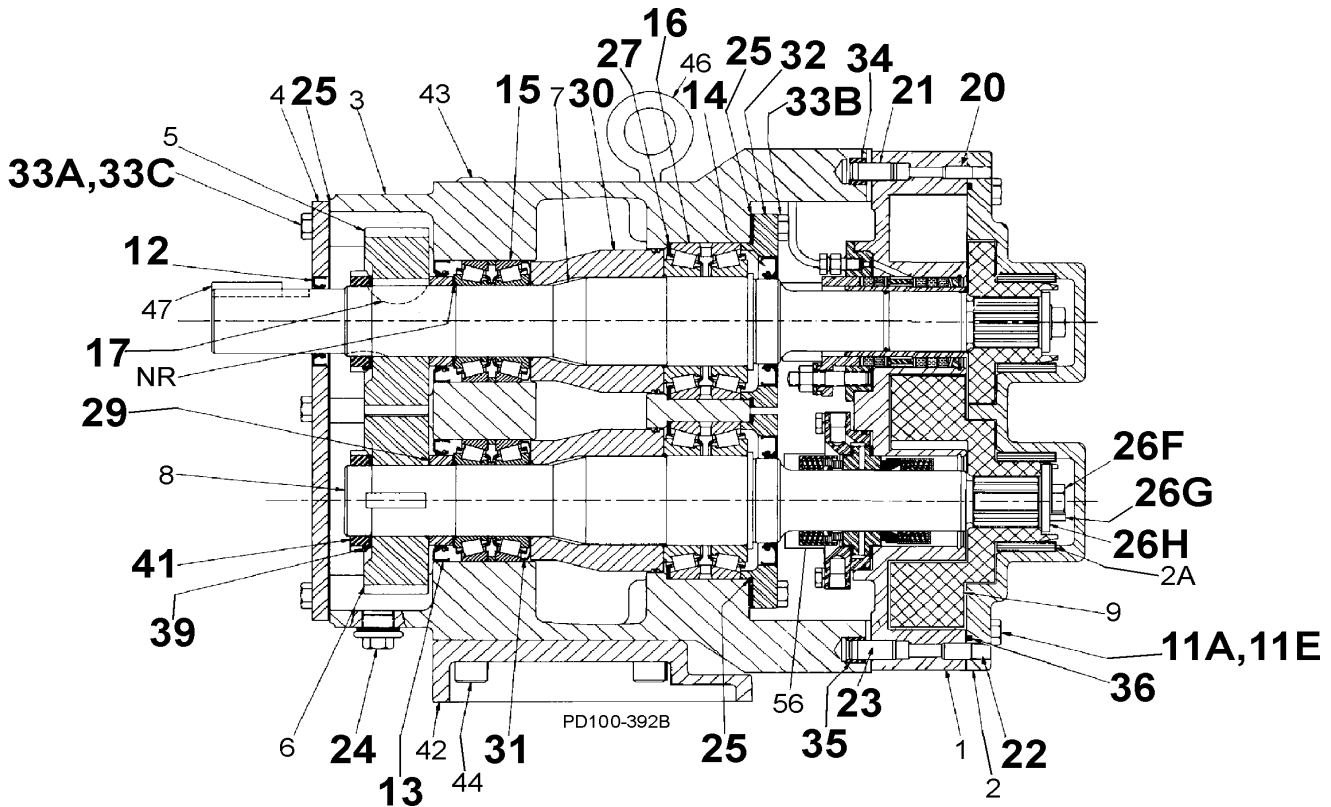
ITEM NO.	DESCRIPTION	QTY. PER PUMP	PART NO.	NOTES
33A	3/8-16 x .75" HHCS	6	30-314	
33B	3/8-16 x 1-1/4" HHCS, Bearing Retainer	8	30-351	
33C	3/8" Flat Washer	6	43-189	
34	Dowel Bushing, Upper	1	CD0 116 000	
35	Dowel Bushing, Lower	1	CD0 116 100	
* * * * *	O-Ring, Pump Cover, Buna N	1	N70272	
	O-Ring, Pump Cover, EPDM	1	E70272	
	O-Ring, Pump Cover, FKM	1	V70272	
	O-Ring, Pump Cover, Teflon Encapsulated	1	T80272	
	O-Ring, Pump Cover, Silicone	1	S75272	
39	Lock washer, Gear	2	STD 136 009	
41	Locknut, Gear	2	STD 236 009	
41A*	Gear Nut Driver	1	109283	
41B*	Gear End Shaft Thread Chaser	1	109289	

NOTES:

- 27. Recommended tool.
- 28. See Pump Notes PN 20-01.
- 40. Pumps shipped prior to 5/15/03
- 41. Pumps shipped after 5/15/03
- 42. Need both the oil plug **and** oil level indicator.

* - Not shown

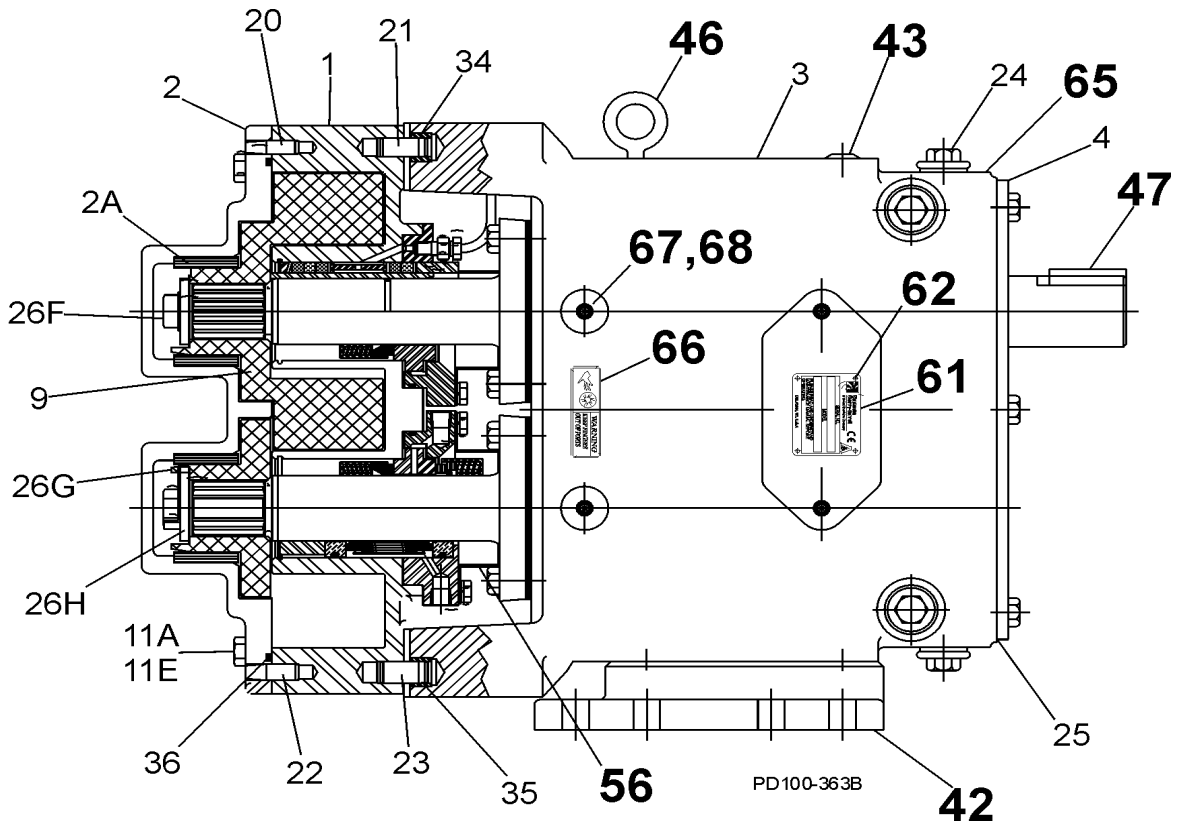
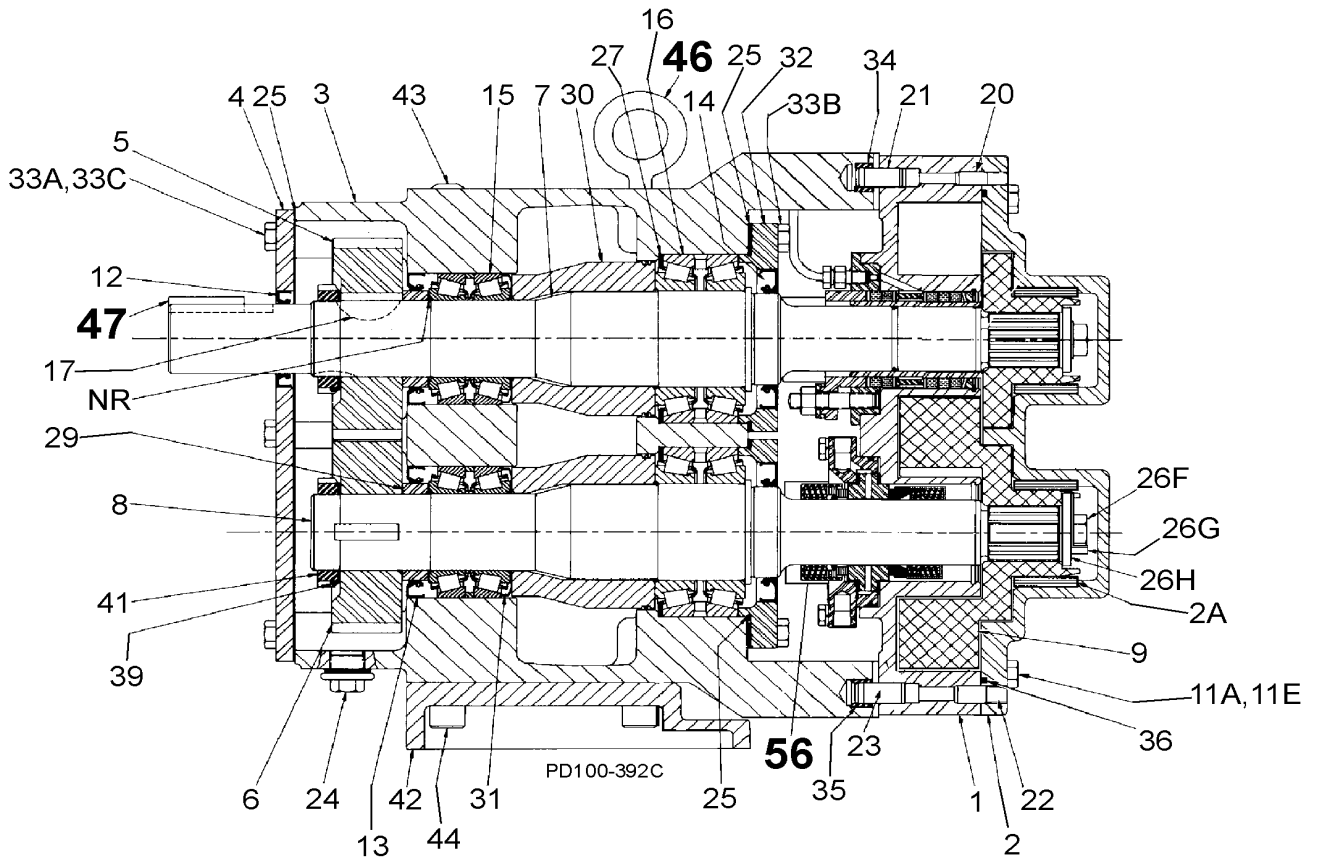
* **Recommended Spare Parts**



5050 - 5050DI - 5060 - 5060DI COMMON PARTS PRICE LIST

ITEM NO.	DESCRIPTION	QTY. PER PUMP	PART NO.	NOTES
42	Gear Case Foot, CI	1	40324	
43	Plastic Cap Plug	6	000 121 001	
44	1/2-13 x 1-1/4" SHCS	4	30-275	
45*	5050 Body Retaining Screw, 5/16-18 x 2" SHCS	2	30-318	
	5060 Body Retaining Screw, 5/16-18 x 3" SHCS	2	30-319	
46	Eye Bolt	2	30-360	
47	Key, Coupling - 3/8 x 3/8 x 1-5/8"	1	000 037 003	
48*	Cleanout Plug, Blue Screw In	2	41013	
56	Shaft Guard	2	111576	
61	Name Plate	1	001 061 015	
62	#2 x .125" RHDS	4	30-355	
65	Caution Plate	2	33-62	
66	Warning Label	2	33-63	
67	Grease Fitting, 1/8"	4	BD0 092 000	
68	Plastic Cap, Grease Fitting	4	BD0 093 000	

5050 - 5050DI - 5060 - 5060DI Common Parts Diagram



5050 - 5050DI - 5060 - 5060DI MECHANICAL SEAL PARTS PRICE LIST

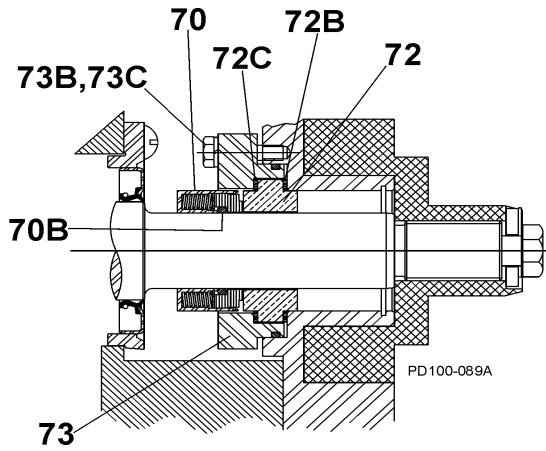
ITEM NO.	DESCRIPTION	QTY. PER PUMP	PART NO.	NOTES
MECHANICAL SEAL PARTS				
SINGLE OUTSIDE SEAL				
* 70	Crane #8B2 Outside Seal, Carbon	2	0C1 114 008	
* 72	"T" Seat, Plain, Ceramic	2	055 014 012	
* 72	"T" Seat, Plain, Tungsten Carbide	2	055 014 013	
* 72	"T" Seat, Plain, Silicon Carbide	2	055 014 016	
* 72B, 72C	"T" Seat Gasket, Inner and Outer, PTFE	4	055 042 001	
73	Gland, Plain	2	0C1 034 001	
73B	HHCS, Gland Bolt, 1/4-20 x 1"	8	30-93	
73C	Lock washer, 1/4"	8	43-22	
SINGLE INSIDE SEAL				
* 71	Crane #9 Inside Seal , Carbon	2	0C1 114 000	
* 71	Crane #9 Inside Seal , Blister Resistent Carbon	2	N/A	
* 71	Crane #9 Inside Seal , Ceramic	2	36160	
* 71	Crane #9 Inside Seal , Silicon Carbide	2	34011	
* 71	Crane #9 Inside Seal , Tungsten Carbide	2	NA	
* 71	Crane #9 Inside Seal , Glass Filled Chemlon	2	33868	
* 71	Crane #9 Inside Seal , Carbon w/ 316 & Hast C	2	34591	
* 72	"T" Seat, Plain, Ceramic	2	055 014 012	
* 72	"T" Seat, Plain, Tungsten Carbide	2	055 014 013	
* 72	"T", Plain, Silicon Carbide	2	055 014 016	
* 72B, 72C	"T" Seat Gasket, Inner and Outer, PTFE	4	055 042 001	
73	Gland, Plain	2	0C1 034 001	
73B	HHCS, Gland Bolt, 1/4-20 x 1"	8	30-93	
73C	Lock washer, 1/4"	8	43-22	
DOUBLE INSIDE - OUTSIDE SEAL				
* 70	Crane #B2 Outside Seal, Carbon	2	0C1 114 008	
* 71	Crane #9 Inside Seal , Carbon	2	0C1 114 000	
* 71	Crane #9 Inside Seal , Blister Resistent Carbon	2	N/A	
* 71	Crane #9 Inside Seal , Ceramic	2	36160	
* 71	Crane #9 Inside Seal , Silicon Carbide	2	34011	
* 71	Crane #9 Inside Seal , Tungsten Carbide	2	NA	
* 71	Crane #9 Inside Seal , Glass Filled Chemlon	2	33868	
* 71	Crane #9 Inside Seal , Carbon w/ 316 & Hast C	2	34591	
* 72A	"T" Seat, Flushed, Ceramic	2	055 014 027	
* 72A	"T" Seat, Flushed, Tungsten Carbide	2	055 014 028	
* 72A	"T" Seat, Flushed, Silicon Carbide	2	055 014 031	
72B /72C	"T" Seal Gasket, Inner and Outer, PTFE	4	055 042 001	
73A	Gland, Flushed	2	0C1 034 003	
73B	HHCS, Gland Bolt, 1/4-20 x 1"	8	30-93	
73C	Lock washer, 1/4"	8	43-22	
* 73D	O-Ring, Gland, Buna N	2	N70152	25
* 73D	O-Ring, Gland, EPDM	2	E70152	
* 73D	O-Ring, Gland, FKM	2	V70152	

NOTES:

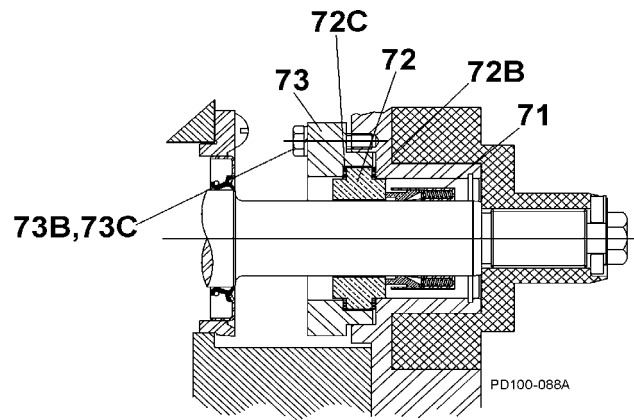
25. Sold in packages of 25 only.

* Recommended Spare Parts

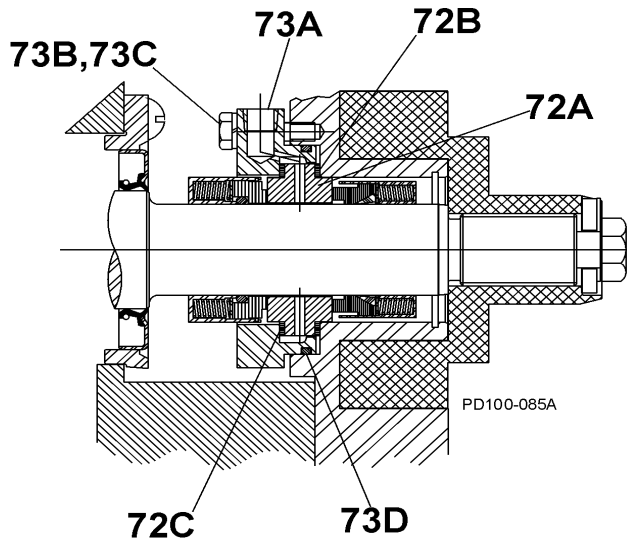
5050 - 5050DI - 5060 - 5060DI Mechanical Seal Parts Diagram



Single Outside Mechanical Seal



Single Inside Mechanical Seal



Double Inside Outside Mechanical Seal

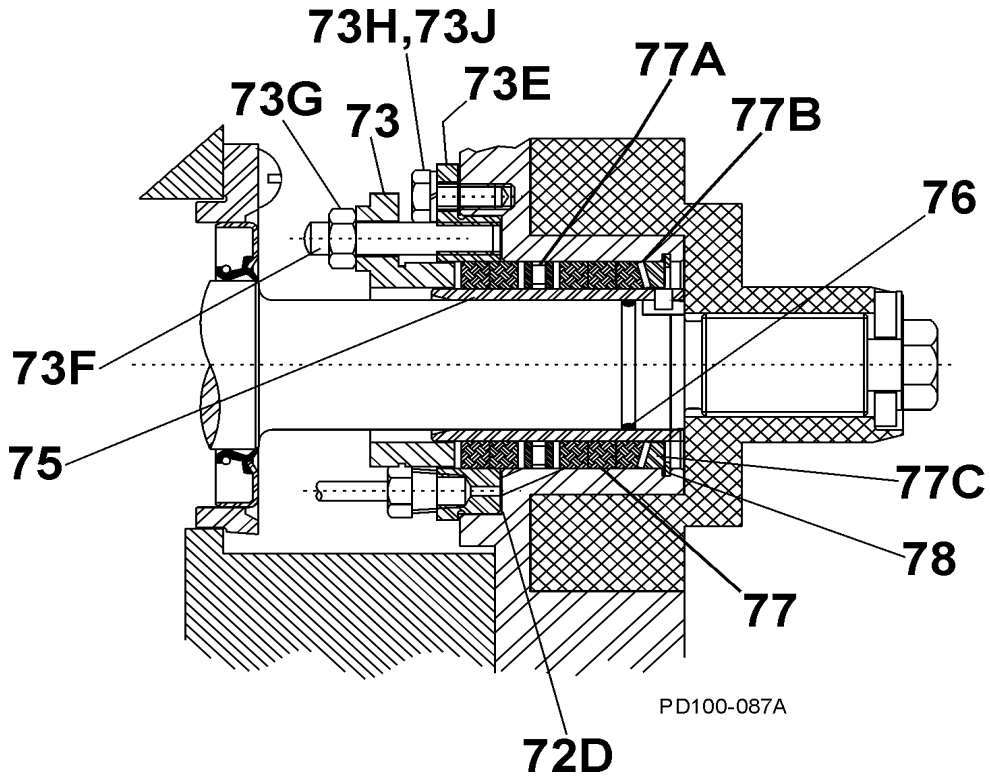
5050 - 5050DI - 5060 - 5060DI PACKING & VENTED COVER PARTS PRICE LIST

ITEM NO.	DESCRIPTION	QTY. PER PUMP	PART NO.	NOTES
72D	Gasket Insert	2	0C1 043 300	
73	Gland (Replaces 0C1 004 000)	2	112051	
73C	Washer, Gland	NA	0C1 049 000	
73E	Gland, Insert	2	0C1 050 200	
73F	Stud, Packing Gland, 3/8-16 x 1-7/8"	4	0C1 050 000	
73G	Hex Nut, 3/8-16	4	36-45	
73H	HHCS, 1/4-20 x 1/2"	8	30-62	
73J	Lock washer, 1/4"	8	43-22	
* 75	5050 Sleeve, SS	2	0C1 098 000	
* 75	5050 Sleeve, Ceramic Coated	2	0C1 098 001	
* 75	5060 Sleeve, SS	2	0E1 098 000	
* 75	5060 Sleeve, Ceramic Coated	2	0E1 098 001	
* 76	O-Ring, Shaft, Buna N	2	N70028	
* 76	O-Ring, Shaft, EPDM	2	E70028	
* 76	O-Ring, Shaft, FKM	2	V70028	
* 76	O-Ring, Shaft, Silicone	2	S75028	
* 76	O-Ring, Shaft, FFKM	2	K75028	
77	Packing	12 Rings	0C1 033 000	
77A	5050 Lantern Ring	2	0C1 047 000	
77A	5060 Lantern Ring	2	0E1 047 000	
77B	Packing Spacer	2	0C1 033 100	
77C	5050 Packing, Retaining Ring	2	0C1 051 000	
77C	5060 Packing, Retaining Ring	2	0C1 051 000	
78	Retainer	2	40068	
MANUAL VENTED COVER				
101	Relief Cover	1	050 002 001	
102	Adjusting Screw	1	000 060 001	
104	Adjusting Screw Jam Nut	1	36-99	
105	Relief Spring	1	000 076 002	
118	Adapter	1	050 071 000	
119	HHCS, 5/16-18 x 1"	4	30-349	
* 120	Piston O-Ring, Buna N	1	N70227	
* 120	Piston O-Ring, EPDM	1	E70227	
* 120	Piston O-Ring, FKM	1	V70227	
* 120	Piston O-Ring, FFKM	1	K75227	
121	Bushing, Upper	1	050 116 002	
122	Bushing, Lower	1	050 116 003	
* 123	Adapter O-Ring, Buna N	1	N70041	
* 123	Adapter O-ring, EPDM	1	E70041	
* 123	Adapter O-Ring, FKM	1	V70041	
* 123	Adapter O-ring, FFKM	1	K75041	
124	Spring, Retainer	1	050 176 000	
125	Piston	1	050 073 000	
SEAL FLUSH				
72E	Fittings	4	STD 299 003	
72F	Tubing, 6"	4	87-699	
72G	Pipe Plug, 1/8"	1	78-142	
72H	Fittings	4	STD 299 023	

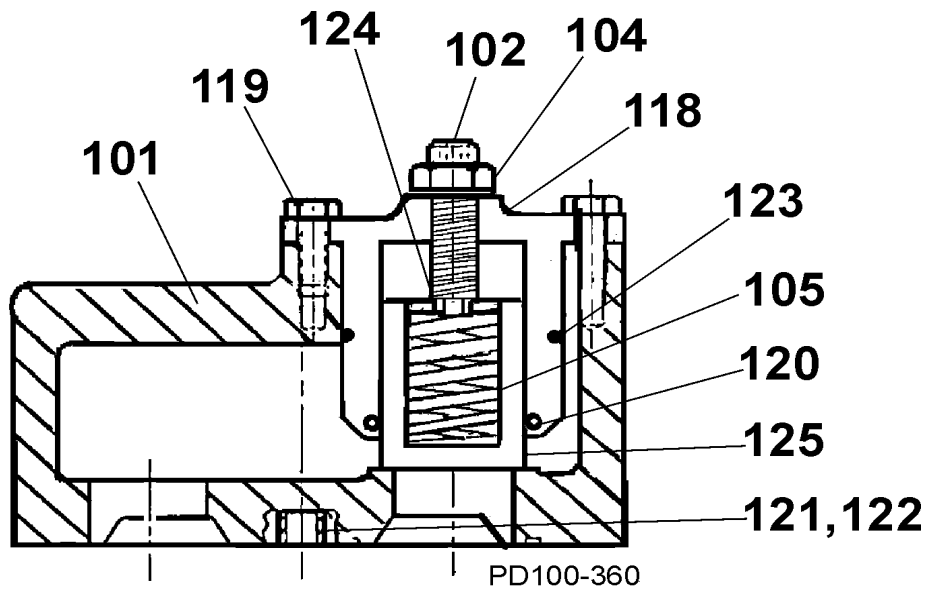
NOTES:

* Recommended Spare Parts

5050 - 5050DI - 5060 - 5060DI Packing and Vented Cover Parts Diagram



Packing Diagram



Vented Cover Diagram

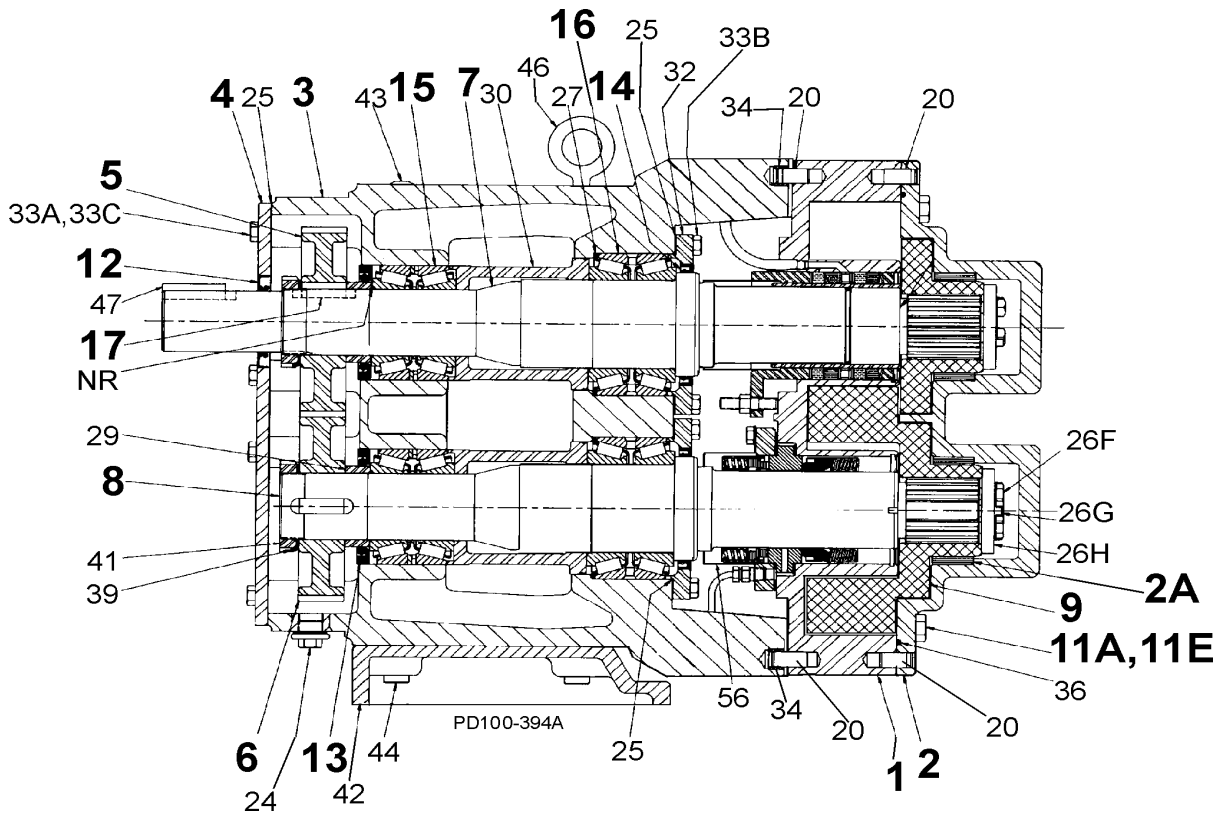
5070 -5070DI PUMP PARTS PRICE LIST

ITEM NO.	DESCRIPTION	QTY. PER PUMP	PART NO.	NOTES
1	5070 Pump Body, 4" 150# RF Flg. Mech. Seal	1	109280	1
	5070 Pump Body, 4" 150# RF Flg., Packing	1	40316	1
	5070-DI Pump Body, 4" 150# RF Flg. Mech. Seal	1	40975	1
	5070-DI Pump Body, 4" 150# RF Flg., Packing	1	40974	1
2	5070 Pump Cover	1	200 002 000	
	5070-DI Pump Cover	1	201 002 000	
	Pump Cover Vented - Complete Assembly			
	5070 Manual	1	200 022 001	
2A	Cover Bushing, Carbon	2	200 048 000	
	Cover Bushing, Alloy 88	2	200 048 W00	
	Cover Bushing, Rulon	2	35384	
3	Gear Case, CI	1	40454	
4	Gear Case Cover, Steel (Includes Oil Seal)	1	230 106 000	
5	Gear, Drive Shaft, Spur (Replaces 200 007 001)	1	110932	
6	Gear, Short Shaft, Spur (Replaces 200 007 002)	1	110932	
7	Drive Shaft, Std., Mechanical Seal	1	40810	
	Drive Shaft, Opt.17-4PH, Mech. Seal	1	35351	
	Drive Shaft, Packing	1	40819	
8	Short Shaft, Std., Mechanical Seal	1	40811	
	Short Shaft, Opt.17-4PH, Mech. Seal	1	35352	
	Short Shaft, Packing	1	40820	
9	5070 Rotor, Twin Wing, Alloy 88	2	200 010 000	2
	5070 Rotor, Twin Wing, 316SS	2	200 010 200	2
	5070-DI, Twin Wing	2	201 010 000	2
11A	HHCS, Long, 1/2-13 x 4-1/2"	4	30-324	
11E	HHCS, Short, 1/2-13 x 1-1/4"	4	30-36X	
12	Oil Seal, Gear Case Cover	1	STD 030 006	
13	Oil Seal, Gear Case Rear	2	STD 119 002	
14	Grease Seal, Bearing Retainer	2	STD 030 002	
	Bearing Isolator, includes Std. Bearing Retainer*	2	X06634-1	28
	Bearing Isolator, includes SS Bearing Retainer*	2	X06634-2	28
15	Tapered Roller Bearing, Rear	2	200 035 000	
16	Tapered Roller Bearing, Front	2	200 036 000	
17	Key, Gear	2	200 037 000	

NOTES:

1. Contact Factory with Serial Number of pump for Part Number.
2. Standard clearances and finishes for Rotor Part Numbers shown. Contact Factory for optional clearances and finishes.
28. See Pump Notes PN20-01.

5070 - 5070DI Pump Parts Diagram



5070 - 5070DI PUMP PARTS PRICE LIST

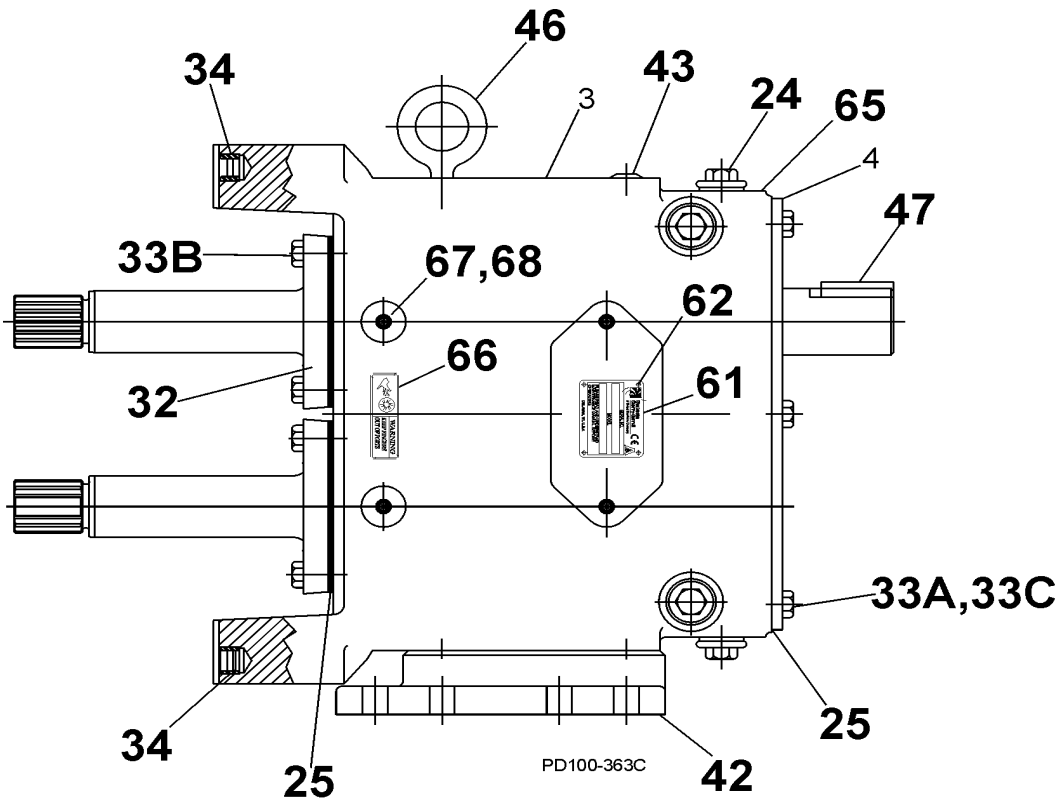
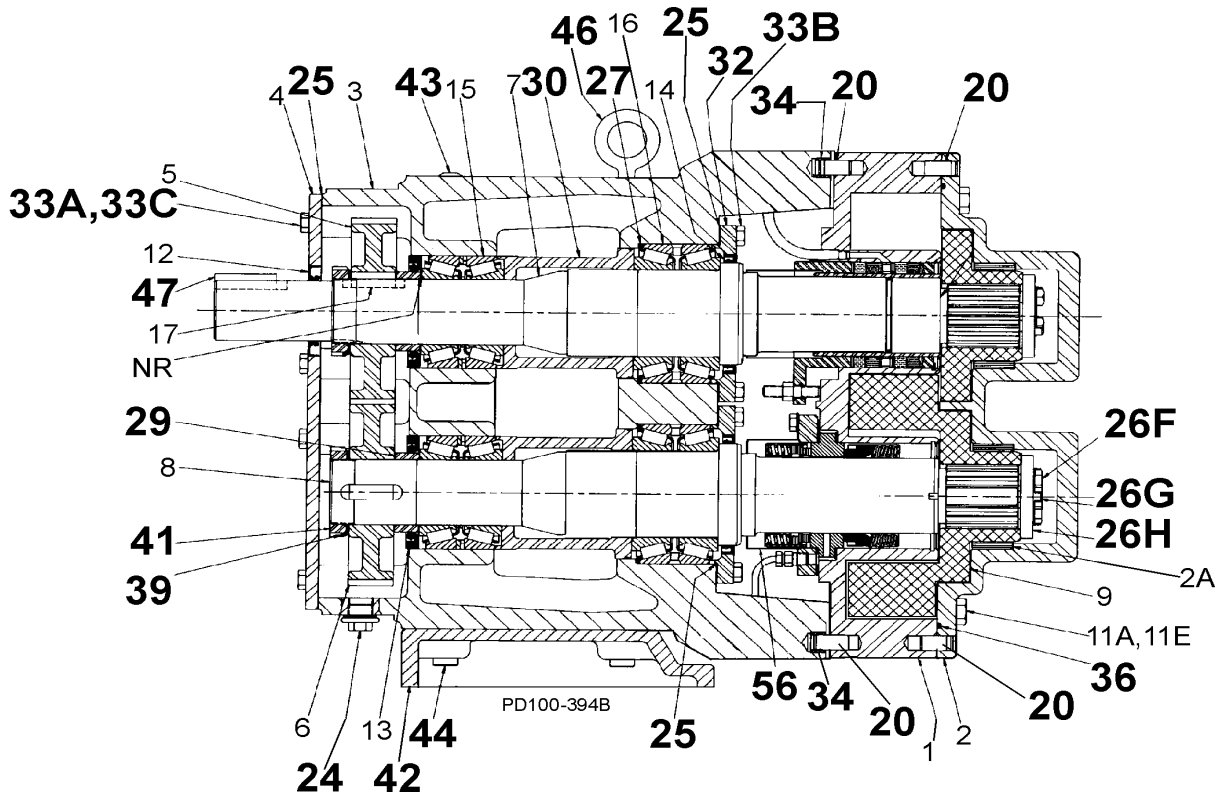
ITEM NO.	DESCRIPTION	QTY. PER PUMP	PART NO.	NOTES
20	Dowel Pin, Upper Cover Side	4	CD0 040 R10	
24	Plug w/ washer, 1/2-20	6	000 046 004	40
	Oil Plug, M20 x 1.5"	5	115798	41, 42
	Oil Level Indicator, M20 x 1.5"	1	115799	41, 42
25	Silicone Sealant (Replaces Std Gaskets & N70047 O-Ring)	1	000 142 301	
26F	Rotor Retaining HHCS, 3/8-16 x 1.5"	6	30-55X	
26G	Rotor Lock Clip	2	200 053 000	
26H	Washer, Rotor Retainer	2	200 052 000	
27	Shim Kit	2	117892	
29	Spacer, Gear to Rear Bearing	2	40878	
30	Bearing Spacer	2	40752	
32	Bearing Retainer, Front, Std.	2	220 080 000	
	Bearing Retainer, Front, SS	2	101813	
33A	3/8-16 x 1-1/4" HHCS	8	30-351	
33B	3/8-16 x 1-1/4" SHCS, Bearing Retainer	8	30-351	
33C	3/8" Flat Washer	8	43-189	
34	Dowel Bushing	2	CD0 116 100	
* * * * *	O-Ring, Pump Cover, Buna N	1	GD0 117 000	
	O-Ring, Pump Cover, EPDM	1	GD0 117 002	
	O-Ring, Pump Cover, FKM	1	GD0 117 V00	
	O-Ring, Pump Cover, Teflon Encapsulated	1	GD0 117 T00	
	O-Ring, Pump Cover, Silicone	1	GD0 117 SC0	
39	Lock washer, Gear	2	STD 136 011	
41	Locknut, Gear	2	STD 236 011	
42	Gear Case Shim, CI	1	40817	
43	Plastic Cap Plug	6	000 121 001	
44	1/2-13 x 1.5" SHCS, Gear Case Shim	4	30-315	
45*	Body Retaining Screw, 3/8-16 x 3-1/2"	2	30-326	
46	Eye Bolt	2	30-360	
47	Key, Coupling - 1/2 x 1/2 x 1-7/8"	1	000 037 004	
48*	Cleanout Plug	2	41013	
56	Shaft Guard (Mechanical Seal only)	2	111577	
61	Name Plate	1	001 061 015	
62	#2 x .125" RHDS	4	30-355	
65	Caution Plate	2	33-62	
66	Warning Label	2	33-63	
67	Grease Fitting, 1/8"	4	BD0 092 000	
68	Plastic Cap, Grease Fitting	4	BD0 093 000	

NOTES:

- 40. Pumps shipped prior to 5/15/03
- 41. Pumps shipped after 5/15/03
- 42. Need both the oil plug **and** oil level indicator.

*** Recommended Spare Parts**

5070 - 5070DI Pump Parts Diagram



* Note: 7 shown is packing shaft.
8 shown is mechanical seal shaft.

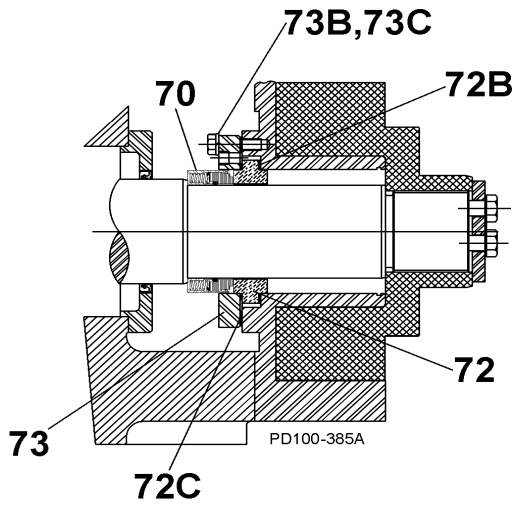
5070 - 5070DI MECHANICAL SEAL PARTS PRICE LIST

ITEM NO.	DESCRIPTION	QTY. PER PUMP	PART NO.	NOTES
MECHANICAL SEAL PARTS				
SINGLE OUTSIDE SEAL				
* 70	Crane #8B2 Outside Seal, Carbon	2	200 114 002	
* 72	"T" Seat, Plain, Ceramic	2	200 014 012	
* 72	"T" Seat, Plain, Tungsten Carbide	2	200 014 013	
* 72	"T" Seat, Plain, Silicon Carbide	2	200 014 016	
* 72B, 72C	"T" Seat Gasket, Inner and Outer, PTFE	4	200 042 001	
73	Gland, Plain	2	200 034 000	
73B	HHCS, Gland Bolt, 5/16-18 x 1"	8	30-34	
73C	Lock washer, 5/16"	8	43-15	
SINGLE INSIDE SEAL				
* 71	Crane #9 Inside Seal , Carbon	2	200 114 000	
* 71	Crane #9 Inside Seal , Silicon Carbide	2	35635	
* 71	Crane #9 Inside Seal , Tungsten Carbide	2	35636	
* 72	"T" Seat, Plain, Ceramic	2	200 014 012	
* 72	"T" Seat, Plain, Tungsten Carbide	2	200 014 013	
* 72	"T" Seat, Plain, Silicon Carbide	2	200 014 016	
* 72B, 72C	"T" Seat Gasket, Inner and Outer, PTFE	4	200 042 001	
73	Gland, Plain	2	200 034 000	
73B	HHCS, Gland Bolt, 5/16-18 x 1"	8	30-34	
73C	Lock washer, 5/16"	8	43-15	
DOUBLE INSIDE - OUTSIDE SEAL				
* 70	Crane #8B2 Outside Seal, Carbon	2	200 114 002	
* 71	Crane #9 Inside Seal , Carbon	2	200 114 000	
* 71	Crane #9 Inside Seal , Silicon Carbide	2	35635	
* 71	Crane #9 Inside Seal , Tungsten Carbide	2	35636	
* 72A	"T" Seat, Flushed, Ceramic	2	200 014 027	
* 72A	"T" Seat, Flushed, Tungsten Carbide	2	200 014 028	
* 72A	"T" Seat, Flushed, Silicon Carbide	2	200 014 031	
* 72B	"T" Seat Gasket, Inner, FKM	2	200 042 001	
* 72B	"T" Seat Gasket, Inner, EPDM	2	200 042 003	
* 72C	"T" Seat Gasket, Outer, PTFE	2	200 042 002	
73A	Gland, Flushed	2	200 034 001	
73B	HHCS, Gland Bolt, 5/16-18 x 1"	8	30-34	
73C	Lock washer, 5/16"	8	43-15	

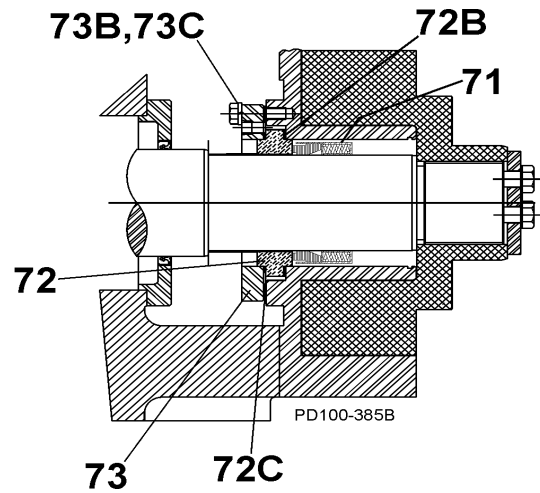
NOTES:

* Recommended Spare Parts

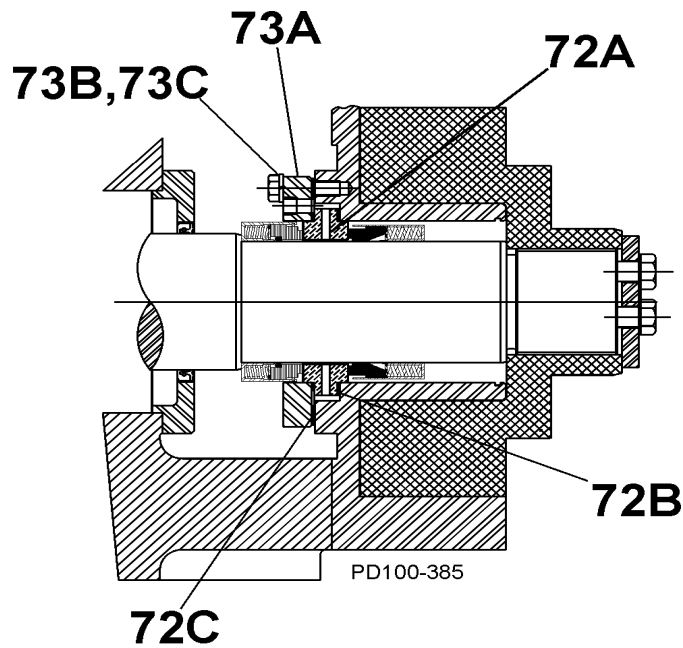
5070 - 5070DI Mechanical Seal Parts Diagram



Single Outside Mechanical Seal



Single Inside Mechanical Seal



Double Inside Mechanical Outside Seal

5070 - 5070DI PACKING AND VENTED COVER PARTS PRICE LIST

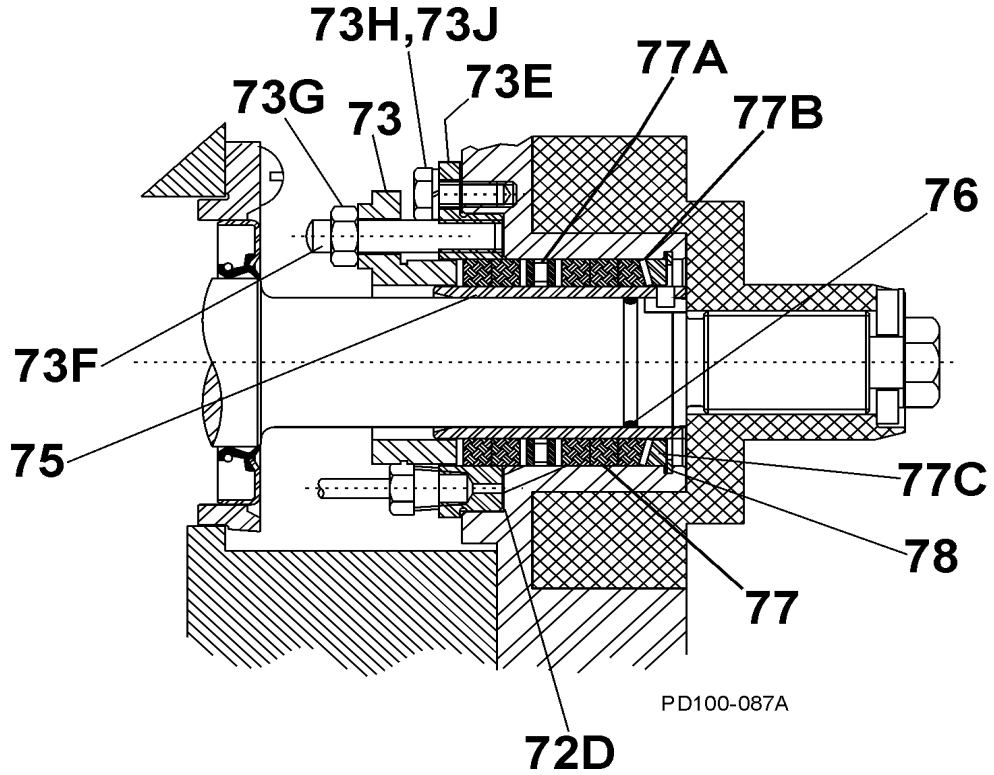
ITEM NO.	DESCRIPTION	QTY. PER PUMP	PART NO.	NOTES
72D	Gasket Insert	2	NA	
73	Gland (Replaces 200 004 000)	2	112052	
73C	Washer, Gland	2	NA	
73E	Gland, Insert	2	NA	
73F	Stud, Packing Gland	4	200 050 000	
73G	Hex Nut	4	36-41	
73H	HHCS, 1/4-20 x 1/2"	8	NA	
73J	Lock washer, 1/4"	8	NA	
* 75	Sleeve, SS	2	200 098 000	
* 75	Sleeve, Ceramic Coated	2	200 098 003	
* 76	O-Ring, Shaft, Buna N	2	N70140	
* 76	O-Ring, Shaft, EPDM	2	E70140	
* 76	O-Ring, Shaft, FKM	2	V70140	
* 77	Packing	8 Rings	200 033 000	
77A	Lantern Ring	2	200 047 000	
77B	Packing Spacer	2	200 032 000	
77C	Packing, Retaining Ring	2	200 051 000	
78	Retainer	2	40069	
MANUAL VENTED COVER				
101	Relief Cover	1	200 002 001	
102	Adjusting Screw, 3/4-10 x 2-1/2"	1	000 060 001	
104	Adjusting Screw Jam Nut	1	36-99	
105	Relief Spring	1	000 076 005	
118	Adapter	1	200 071 000	
119	HHCS, 5/16-18 x 1"	6	30-349	
* 120	Piston O-Ring, Buna N	1	N70232	
* 120	Piston O-Ring, EPDM	1	E70232	
* 120	Piston O-Ring, FKM	1	V70232	
* 120	Piston O-Ring, FFKM	1	K75232	
* 123	Adapter O-Ring, Buna N	1	N70045	
* 123	Adapter O-ring, EPDM	1	E70045	
* 123	Adapter O-Ring, FKM	1	V70045	
* 123	Adapter O-ring, FFKM	1	K75045	
124	Spring, Retainer	1	200 176 000	
125	Piston	1	200 073 000	
SEAL FLUSH				
72E	Fittings	4	000 299 032	43
72F	Tubing, 4"	4	200 317 000	43

NOTES:

43. Seals with flush ONLY.

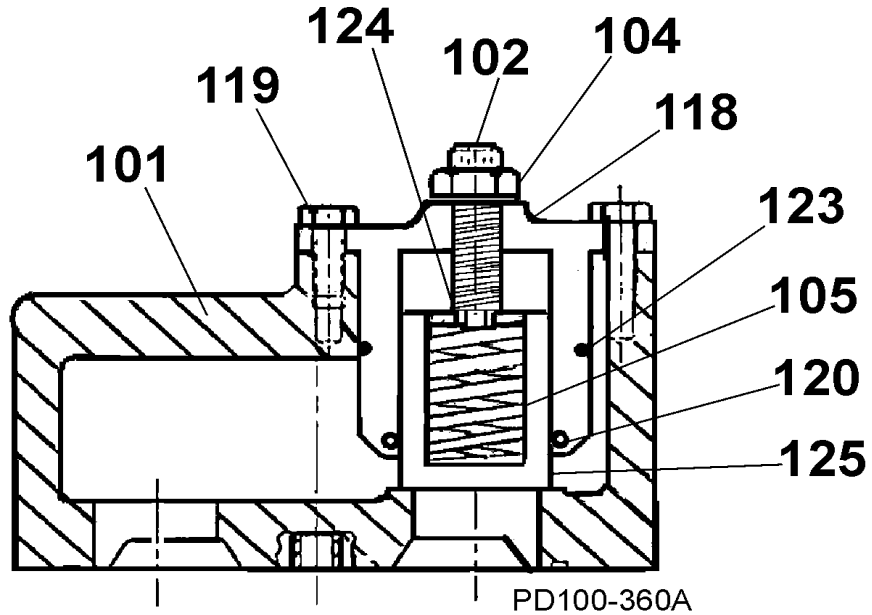
* **Recommended Spare Parts**

5070 - 5070DI Packing and Vented Cover Parts Diagram



PD100-087A

72D
Packing Diagram



PD100-360A

Vented Cover Diagram

5080 PUMP PARTS PRICE LIST

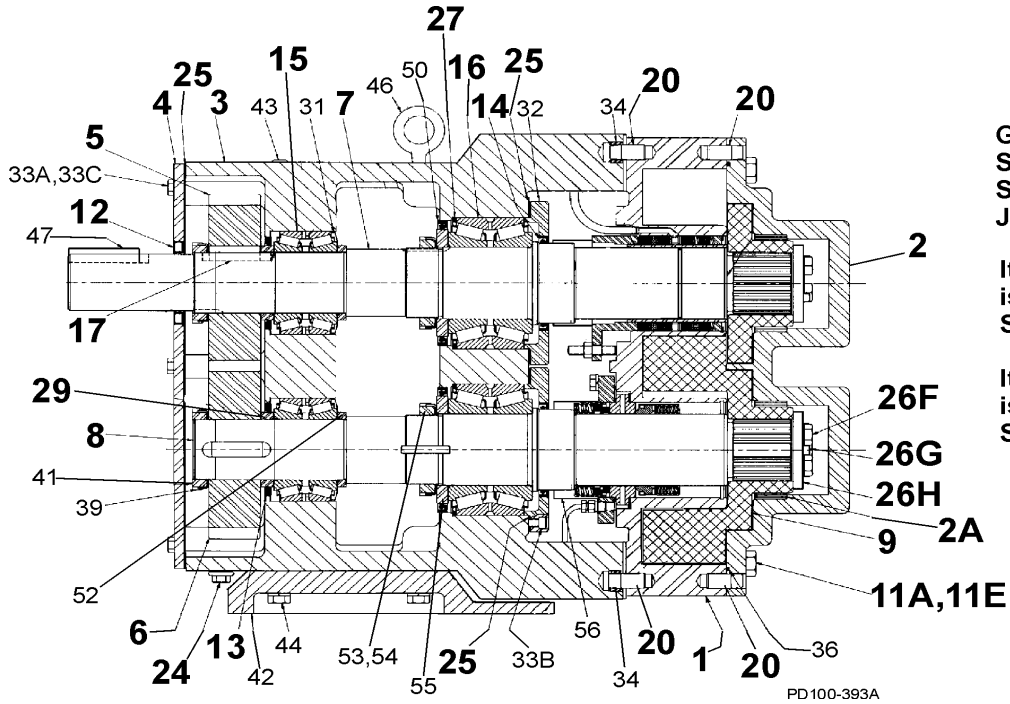
ITEM NO.	DESCRIPTION	QTY. PER PUMP	PART NO.	NOTES
1	5080 Pump Body, 6" 150# Flg. , Mech. Seal	1	40803	1
	5080 Pump Body, 6" 150# Flg. , Packing	1	40804	1
2	5080 Pump Cover	1	0H1 002 000	
	Pump Cover Vented - Complete Assembly			
	5080 Manual	1	300 022 001	
2A	Cover Bushing, Carbon	2	0H1 048 000	
	Cover Bushing, Alloy 88	2	0H1 048 W00	
	Cover Bushing, Rulon	2	33791	
3	Gear Case, CI	1	40616	
4	Gear Case Cover, Steel	1	40669	
5	Gear, Drive Shaft, Spur (Replaces 0H1 007 001)	1	102470	
6	Gear, Short Shaft, Spur (Replaces 0H1 007 002)	1	102470	
7	Drive Shaft, Std., Mechanical Seal	1	See page 29	
8	Short Shaft, Std., Mechanical Seal	1	See page 29	
9	5080 Rotor, Twin Wing, Alloy 88 (Replaces 0H1 010 200)	2	320 010 000	2
	5080 Rotor, Twin Wing, 316SS	2	320 010 200	2
11A	HHCS, Long, 5/8-11 x 5-1/2"	4	30-117	
11E	HHCS, Short, 5/8 -11 x 1-1/2"	4	30-105	
12	Oil Seal, Gear Case Cover	1	STD 030 004	
13	Oil Seal, Gear Case Rear	2	STD 119 000	3
	Oil Seal, Gear Case Rear	2	102475	4
14	Grease Seal, Bearing Retainer	2	STD 030 002	
	Bearing Isolator, includes Bearing Retainer*	2	X06634-3	28
15	Taper Roller Bearing, Rear	2	0H1 036 000	
16	Taper Roller Bearing, Front	2	0H1 036 003	
17	Key, Gear	2	0H1 037 000	
20	Dowel Pin	4	0H1 040 000	
24	Plug w/ washer, 1/2-20	6	000 046 004	40
	Oil Plug, M20 x 1.5"	5	115798	41, 42
	Oil Level Indicator, M20 x 1.5"	1	115799	41, 42
25	Silicone Sealant (Replaces Std gaskets & O-Ring N70050)	1	000 142 301	
26F	Rotor Retaining HHCS, 1/2-13 x 1-3/4"	6	30-127X	
26G	Rotor Lock Clip	2	0H1 053 000	
26H	Washer, Rotor Retainer	2	0H1 052 000	
27	Shim Kit	2	117893	
29	Spacer, Gear to Rear Bearing	2	117691	3
	Spacer, Gear to Rear Bearing	2	102474	4
30	Bearing Spacer	2	102473	4
30A	Spacer, Front Bearing	2	102472	4

NOTES:

1. Contact Factory with Serial Number of pump for Part Number.
2. Standard clearances and finishes for Rotor Part Numbers shown. Contact Factory for optional clearances and finishes.
3. Pumps shipped prior to July 30, 2001.
4. Pumps shipped starting July 30, 2001.
5. No longer manufactured, consult factory for upgrade of gear case subassembly.
28. See Pump Notes 20-01.
40. Pumps shipped prior to 5/15/03
41. Pumps shipped after 5/15/03
42. Need both the oil plug **and** oil level indicator.

*** Recommended Spare Parts**

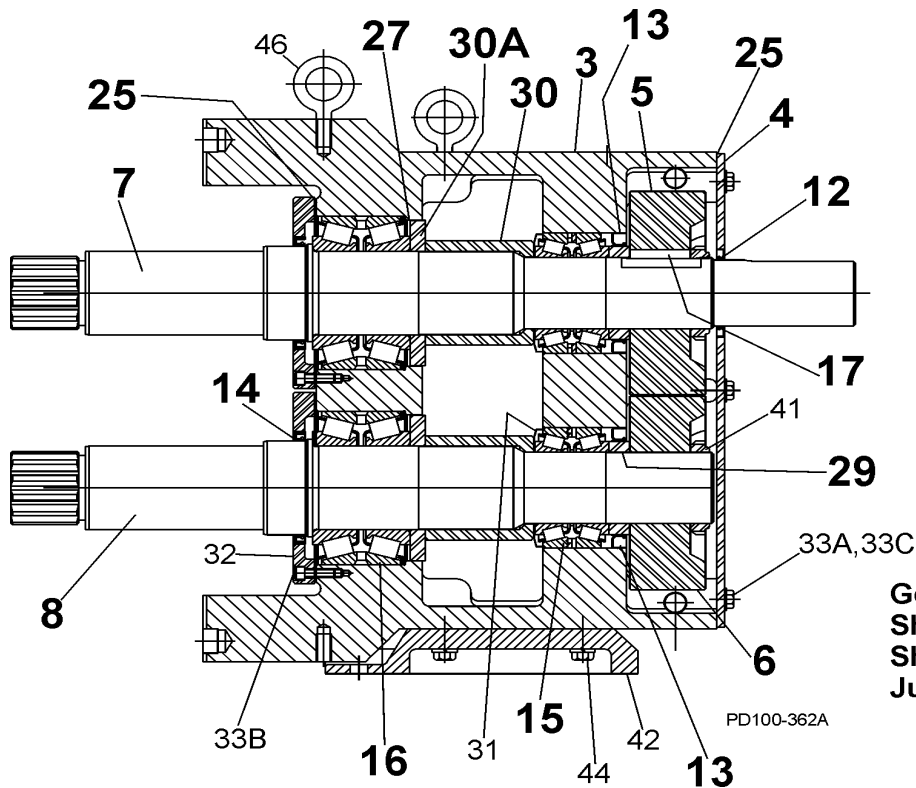
5080 Pump Parts Diagram



Gear Case and Shaft For Pumps Shipped Prior to July 30, 2001.

Item 7 Shown is Packing Shaft.

Item 8 Shown is Mechanical Seal Shaft.



Gear Case and Shaft For Pumps Shipped Starting July 30, 2001.

5080 PUMP SHAFT PRICE LIST

ITEM NO.	DESCRIPTION	QTY. PER PUMP	PART NO.	NOTES
7	Drive Shaft, Std., Mechanical Seal	1	0H1 008 000	3, 5B, 5C
	Kit - Drive Shaft, Std., Mechanical Seal	1	113615	5C
	Drive Shaft, Std., Mechanical Seal	1	113514	4
	Drive Shaft, Opt.17-4PH, Mech. Seal	1	33394	3, 5B, 5C
	Kit - Drive Shaft, Opt. 17-4PH, Mechanical Seal	1	113617	5C
	Drive Shaft, Opt.17-4PH, Mech. Seal	1	113516	4
	Drive Shaft, Std., Packing	1	0H1 008 006	3, 5B, 5C
	Kit - Drive Shaft, Std., Packing	1	113619	5C
	Drive Shaft, Std., Packing	1	113510	4
	Drive Shaft, Opt. 17-4PH, Packing	1	NA	
	Kit - Drive Shaft, Opt. 17-4PH, Packing	1	113621	5C
	Drive Shaft, Opt. 17-4PH, Packing	1	113512	4
8	Short Shaft, Std., Mechanical Seal	1	0H1 009 000	3, 5B, 5C
	Kit - Short Shaft, Std., Mechanical Seal	1	113616	5C
	Short Shaft, Std., Mechanical Seal	1	113515	4
	Short Shaft, Opt.17-4PH, Mech. Seal	1	33395	3, 5B, 5C
	Kit - Short Shaft, Opt.17-4PH, Mech. Seal	1	113618	5C
	Short Shaft, Opt.17-4PH, Mech. Seal	1	113517	4
	Short Shaft, Std., Packing	1	0H1 009 006	3, 5B, 5C
	Kit - Short Shaft, Std., Packing	1	113620	5C
	Short Shaft, Std., Packing	1	113511	4
	Short Shaft, Opt. 17-4PH, Packing	1	NA	
	Kit - Short Shaft, Opt. 17-4PH, Packing	1	113622	5C
	Short Shaft, Opt. 17-4PH, Packing	1	113513	4

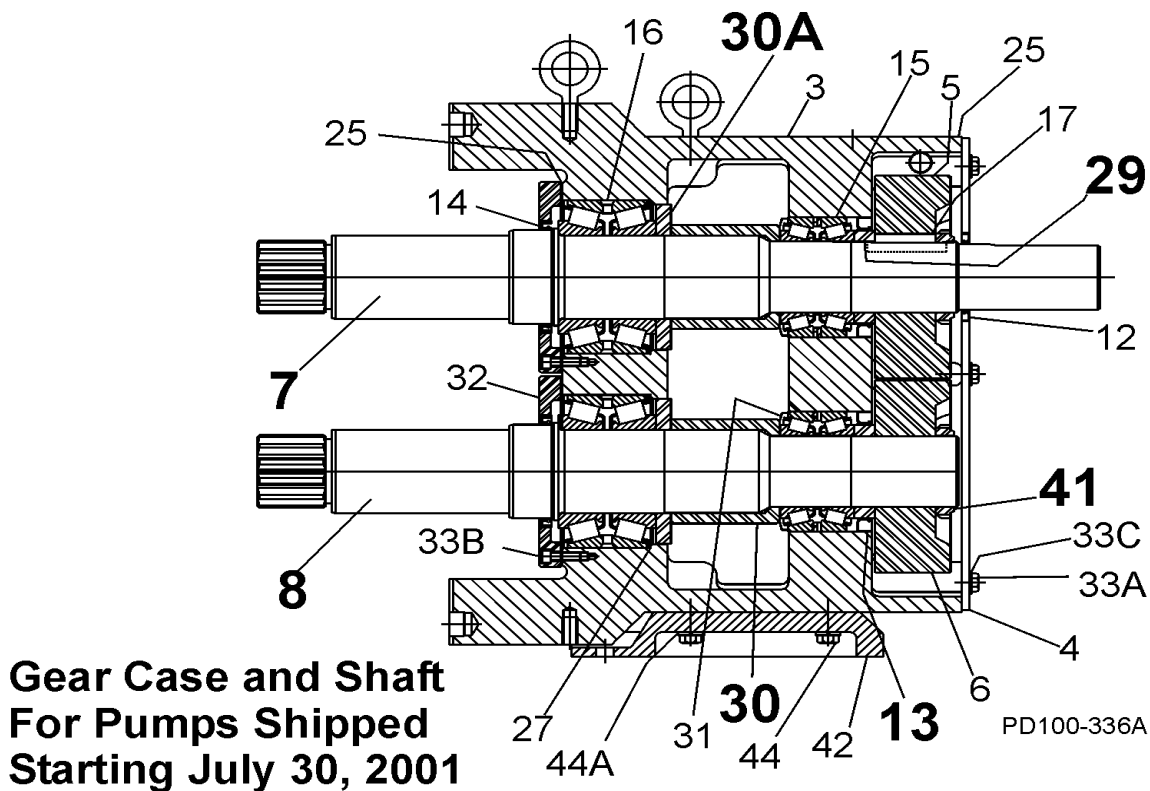
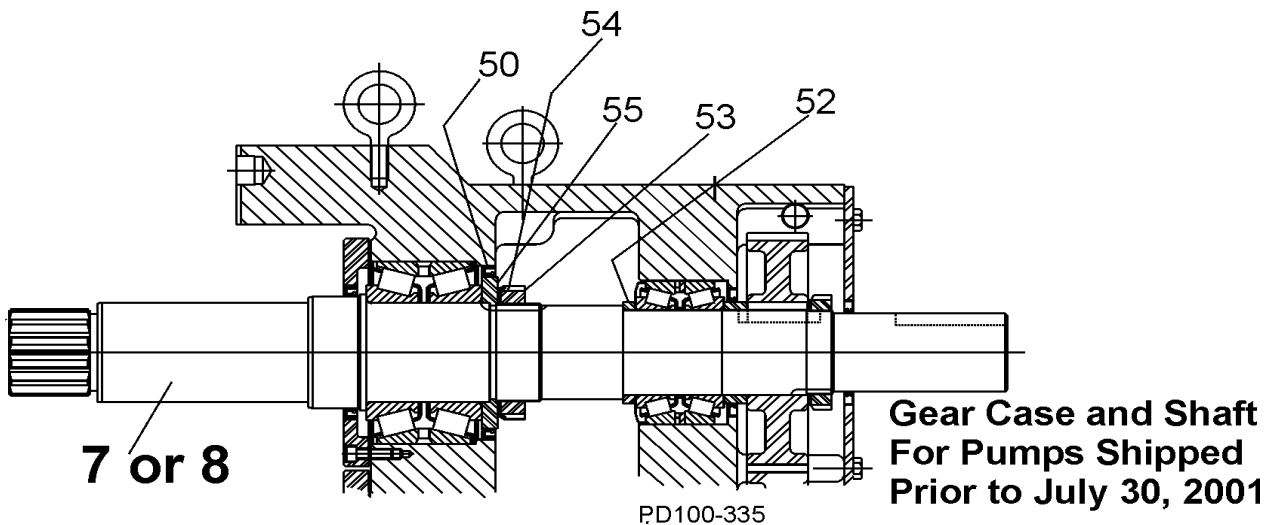
NOTES:

3. Pumps shipped prior to July 30, 2001.
4. Pumps shipped starting July 30, 2001.
5. No longer manufactured, consult factory for upgrade of gear case subassembly.
- 5B. No longer manufactured, see Shaft Kits 113615 thru 113622.
- 5C. Kits replace obsolete shafts 0H1 008 000, 0H1 008 006, 0H1 009 000, 0H1 009 006, 33394, and 33395.

Kits 113615, 113616, 113617, 113618, 113619, 113620, 113621, and 113622 Include:

Item No.	Description	Item No.	Description
7	Drive Shaft P/N 113510 or 113512, 113514, 113516	30	Spacer Front Bearing P/N 102473
or 8	Short Shaft P/N 113511 or 113513, 113515, 113517.	30A	Bearing Spacer P/N 102472
13	Oil Seal, Case Rear P/N STD 119 000	41	Locknut, Gear P/N 105697
29	Spacer, Gear P/N 117691		

5080 Shafts Diagram



5080 PUMP PARTS PRICE LIST

ITEM NO.	DESCRIPTION	QTY. PER PUMP	PART NO.	NOTES
31	Retainer, Grease	2	STD 091 000	
32	Bearing Retainer, Front	2	0H1 080 000	
33A	3/8-16 x .75" HHCS	6	30-314	
33B	5/16-18 x 1" SHCS, Bearing Retainer	8	30-343	
33C	5/16" Flat Washer	6	43-189	
34	Dowel Bushing	2	0H1 116 000	
* * * * *	O-Ring, Pump Cover, Buna N	1	N70280	
	O-Ring, Pump Cover, EPDM	1	E70280	
	O-Ring, Pump Cover, FKM	1	V70280	
	O-Ring, Pump Cover, Teflon Encapsulated	1	300 117 005	
	O-Ring, Pump Cover, Silicone	1	323 117 013	
41	Locknut, Gear	2	105697	44
42	Gear Case Shim, CI	1	40288	
43	Plastic Cap Plug	6	000 121 001	
44	3/8-16 x 1" SHCS (1/2-13 x 1-3/4")	4	30-250	
45*	Body Retaining Screw, 3/8 -16 x 4"	2	30-323	
46	Eye Bolt	3	30-360	
47	Key, Coupling - 5/8 x 5/8 x 2"	1	000 037 005	
48*	Cleanout Plug	2	41013	
50	Grease Retainer, Gear Case, Front Bearing	2	STD 030 003	3
52	Spacer, Rear Bearing	2	0H1 055 002	3
53	Locknut, Front Bearing	2	0H1 236 001	3
54	Lock washer, Front Bearing	2	0H1 136 001	3
55	Spacer, Front Bearing	2	0H1 055 001	3
56	Shaft Guard	2	111578	
61*	Name Plate	1	001 061 015	
62*	#2 x .125" RHDS	4	30-355	
65	Caution Plate	2	33-62	
66*	Warning Label	2	33-63	
67*	Grease Fitting, 1/8"	4	BD0 092 000	
68*	Plastic Cap, Grease Fitting	4	BD0 093 000	

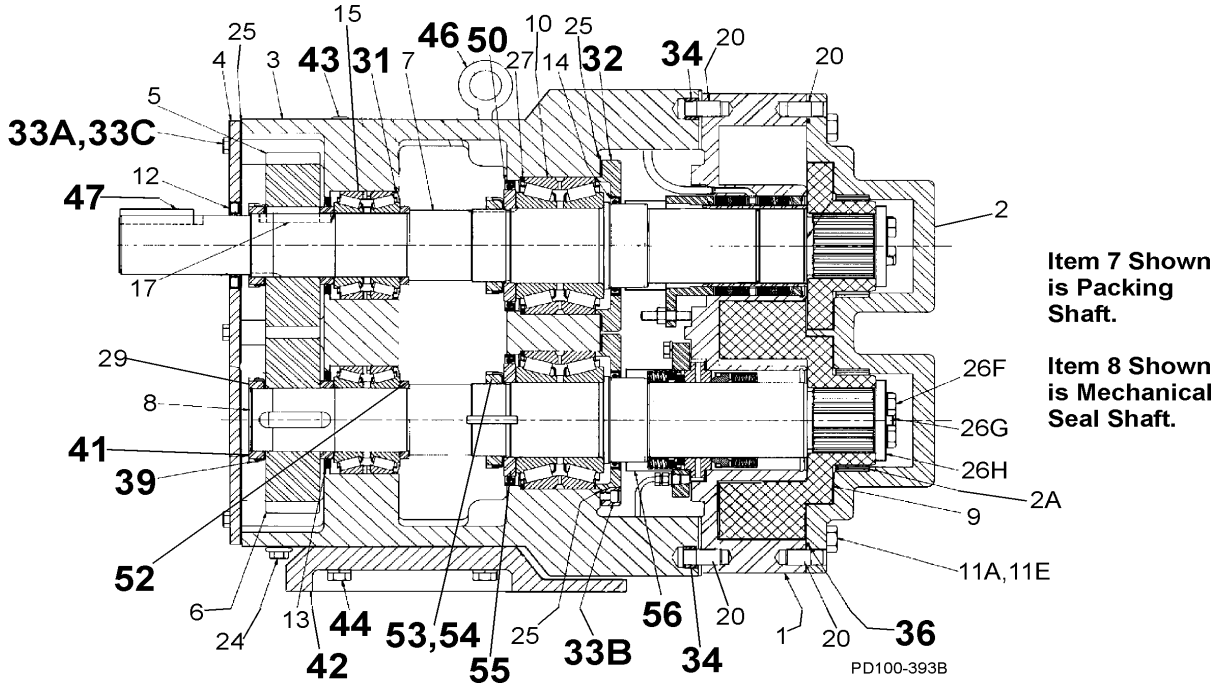
NOTES:

- 3. Pumps shipped prior to July 30, 2001.
- 4. Pumps shipped starting July 30, 2001.
- 44. Replaces 0H1 136 000 lock washer and 0H1 236 000 locknut.

* - Not shown

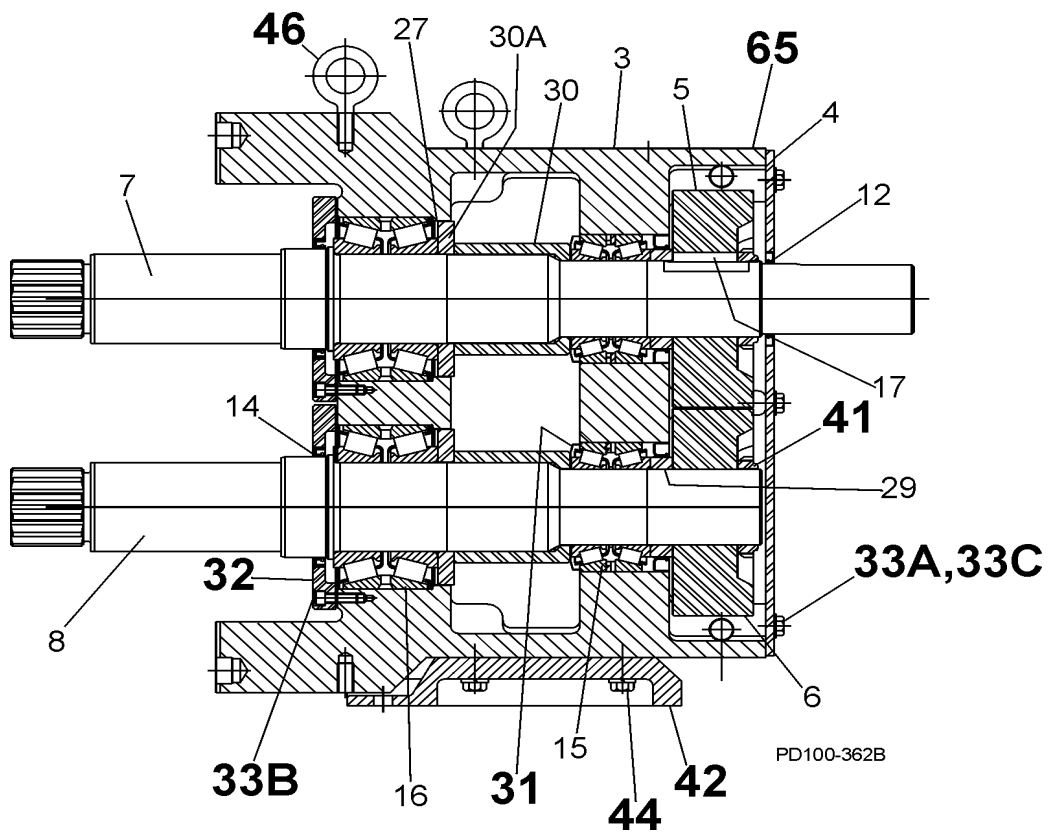
* **Recommended Spare Parts**

5080 Pump Parts Diagram



Item 7 Shown
is Packing
Shaft.

Item 8 Shown
is Mechanical
Seal Shaft.



5080 MECHANICAL SEAL PARTS PRICE LIST

ITEM NO.	DESCRIPTION	QTY. PER PUMP	PART NO.	NOTES
MECHANICAL SEAL PARTS				
SINGLE OUTSIDE SEAL				
* 70	Crane #8B2 Outside Seal, Carbon	2	300 114 002	
* 70	Crane #8B2 Outside Seal, Silicon Carbide	2	300 114 009	
* 70B	O-Ring, Outer Seal, Shaft, EPDM	2	E70234	
* 70B	O-Ring, Outer Seal, Shaft, FKM	2	V70234	
* 70B	O-Ring, Outer Seal, Shaft, Silicone	2	S75234	
* 72	"T" Seat, Plain, Ceramic	2	300 014 012	
* 72	"T" Seat, Plain, Tungsten Carbide	2	300 014 013	
* 72	"T" Seat, Plain, Silicon Carbide	2	300 014 016	
* 72B	"T" Seat Gasket, Inner, FKM	2	300 042 001	
* 72B	"T" Seat Gasket, Inner, EPDM	2	300 042 003	
* 72B	"T" Seat Gasket, Inner, Gylon 3510	2	105237	
* 72B	"T" Seat Gasket, Inner, Garlock 681	2	107183	
* 72B	"T" Seat Gasket, Inner, EPDM Diaphragm Sheet	2	102899	
* 72C	"T" Seat Gasket, Outer, FKM	2	300 042 002	
* 72C	"T" Seat Gasket, Outer, EPDM	2	300 042 004	
* 72C	"T" Seat Gasket, Outer, Gylon 3510	2	36126	
* 72C	"T" Seat Gasket, Outer, Garlock 3200	2	104306	
* 72C	"T" Seat Gasket, Outer, EPDM Diaphragm Sheet	2	102900	
* 72C	"T" Seat Gasket, Outer, Garlock 681	2	107184	
73	Gland, Plain (Flush Gland supplied w plugs)	2	300 034 000	
73B	HHCS, Gland Bolt, 3/8-16 x 1-1/4"	8	30-60	
73C	Lockwasher, 3/8"	8	43-28	
SINGLE INSIDE SEAL				
* 71	Crane #9 Inside Seal , Carbon	2	300 114 000	
* 71	Crane #9 Inside Seal , Silicon Carbide	2	35637	
* 71	Crane #9 Inside Seal , Tungsten Carbide	2	35638	
* 72B	"T" Seat Gasket, Inner, FKM	2	300 042 001	
* 72B	"T" Seat Gasket, Inner, EPDM	2	300 042 003	
* 72B	"T" Seat Gasket, Inner, Gylon 3510	2	105237	
* 72B	"T" Seat Gasket, Inner, Garlock 681	2	107183	
* 72B	"T" Seat Gasket, Inner, EPDM Diaphragm Sheet	2	102899	
* 72C	"T" Seat Gasket, Outer, FKM	2	300 042 002	
* 72C	"T" Seat Gasket, Outer, EPDM	2	300 042 004	
* 72C	"T" Seat Gasket, Outer, Gylon 3510	2	36126	
* 72C	"T" Seat Gasket, Outer, Garlock 3200	2	104306	
* 72C	"T" Seat Gasket, Outer, EPDM Diaphragm Sheet	2	102900	
* 72C	"T" Seat Gasket, Outer, Garlock 681	2	107184	
73	Gland, Plain (Flush Gland supplied w plugs)	2	300 034 000	
73B	HHCS, Gland Bolt, 3/8-16 x 1-1/4"	8	30-60	
73C	Lockwasher, 3/8"	8	43-28	
DOUBLE INSIDE-OUTSIDE SEAL				
* 70	Crane #8B2 Outside Seal, Carbon	2	300 114 002	
* 70	Crane #8B2 Outside Seal, Silicon Carbide	2	300 114 009	
* 71	Crane #9 Inside Seal , Carbon	2	300 114 000	
* 71	Crane #9 Inside Seal , Silicon Carbide	2	35637	
* 71	Crane #9 Inside Seal , Tungsten Carbide	2	35638	

NOTES:

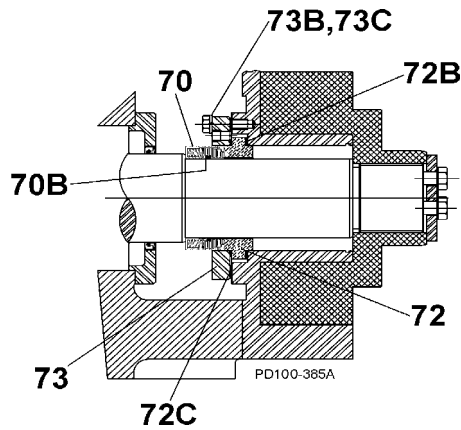
*Recommended Spare Parts

5080 Mechanical Seal Parts Con't. and Diagram

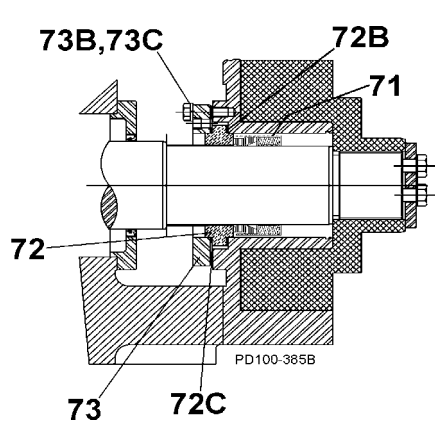
ITEM NO.	DESCRIPTION	QTY. PER PUMP	PART NO.	NOTES
* * * 72A	"T" Seat, Flushed, Ceramic	2	300 014 027	
	"T" Seat, Flushed, Tungsten Carbide	2	300 014 028	
	"T" Seat, Flushed, Silicon Carbide	2	300 014 031	
* * * * * * 72B	"T" Seat Gasket, Inner, FKM	2	300 042 001	
	"T" Seat Gasket, Inner, EPDM	2	300 042 003	
	"T" Seat Gasket, Inner, Gylon 3510	2	105237	
	"T" Seat Gasket, Inner, Garlock 681	2	107183	
	"T" Seat Gasket, Inner, EPDM Diaphragm Sheet	2	102899	
	"T" Seat Gasket, Outer, FKM	2	300 042 002	
* * * * * * 72C	"T" Seat Gasket, Outer, EPDM	2	300 042 004	
	"T" Seat Gasket, Outer, Gylon 3510	2	36126	
	"T" Seat Gasket, Outer, Garlock 3200	2	104306	
	"T" Seat Gasket, Outer, EPDM Diaphragm Sheet	2	102900	
	"T" Seat Gasket, Outer, Garlock 681	2	107184	
	73A	Gland, Flushed	2	300 034 001
73B	HHCS, Gland Bolt, 3/8-16 x 1-1/4"	8	30-60	
73C	Lockwasher, 3/8"	8	43-28	

NOTES:

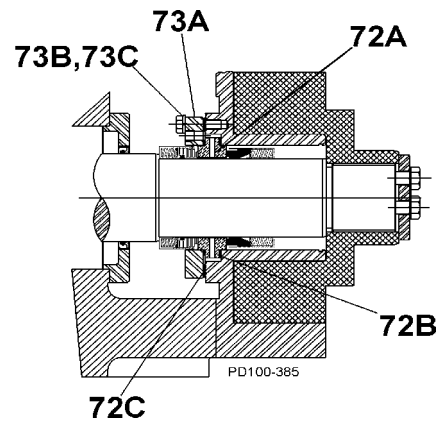
* Recommended Spare Parts



72C
Single Outside Mechanical Seal



72C
Single Inside Mechanical Seal



72C
Double Inside-Outside Mechanical Seal

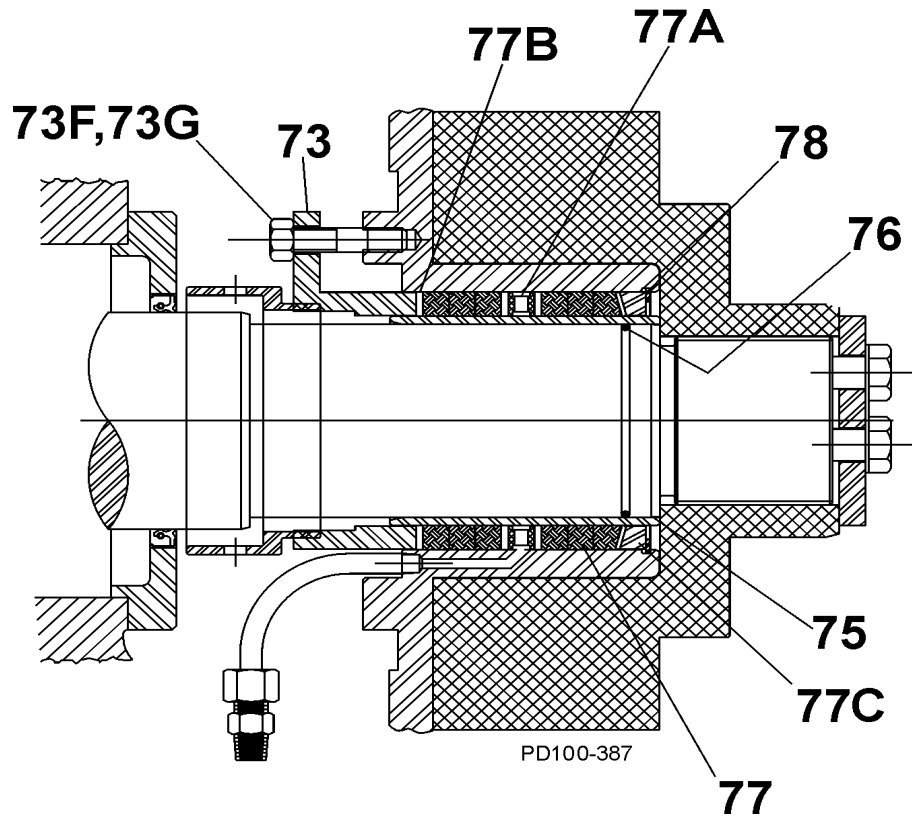
5080 PACKING AND VENTED COVER PARTS PRICE LIST

ITEM NO.	DESCRIPTION	QTY. PER PUMP	PART NO.	NOTES
PACKING PARTS				
72D	Gasket Insert	2	NR	
73	Gland (Replaces 300 004 000)	2	112053	
73C	Washer, Gland	2	NR	
73E	Gland, Insert	2	NR	
73F	Stud, Packing Gland, 3/8-16 x 1-7/8	4	0C1 050 000	
73G	Hex Nut, 3/8	4	36-45	
73H	HHCS, 1/4-20 x 1/2"	8	NR	
73J	Lock washer, 1/4"	8	NR	
* 75	Sleeve, SS	2	300 098 000	
* 75	Sleeve, Ceramic Coated	2	300 098 003	
* 76	O-Ring, Shaft, Buna N	2	N70149	
* 76	O-Ring, Shaft, EPDM	2	E70149	
* 76	O-Ring, Shaft, FKM	2	V70149	
* 77	Packing	12 Rings	300 033 000	
77A	Lantern Ring	2	300 047 000	
77B	Packing Spacer	8	20-138	
77C	Packing, Retaining Ring	2	300 051 000	
78	Retainer	2	40070	
MANUAL VENTED COVER				
101	Relief Cover	1	300 002 004	
102	Adjusting Screw	1	000 060 001	
104	Adjusting Screw Jam Nut	1	36-99	
105	Relief Spring	1	000 076 006	
118	Adapter	1	300 071 000	
119	HHCS, 5/16-18 x 1"	6	30-349	
* 120	Piston O-Ring, Buna N	1	N70235	
* 120	Piston O-Ring, EPDM	1	E70235	
* 120	Piston O-Ring, FKM	1	V70235	
* 120	Piston O-Ring, FFKM	1	K75235	
* 123	Adapter O-Ring, Buna N	1	N70157	
* 123	Adapter O-ring, EPDM	1	E70157	
* 123	Adapter O-Ring, FKM	1	V70157	
* 123	Adapter O-ring, FFKM	1	K75157	
124	Spring, Retainer	1	200 176 000	
125	Piston	1	300 073 000	

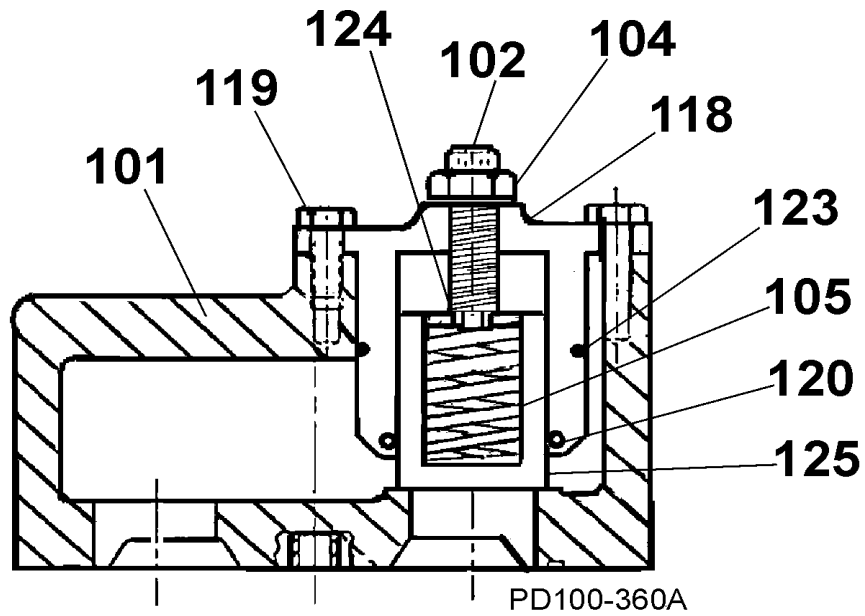
NOTES:

* Recommended Spare Parts

5080 Packing and Vented Cover Parts Diagram



Packing Diagram



Vented Cover Diagram

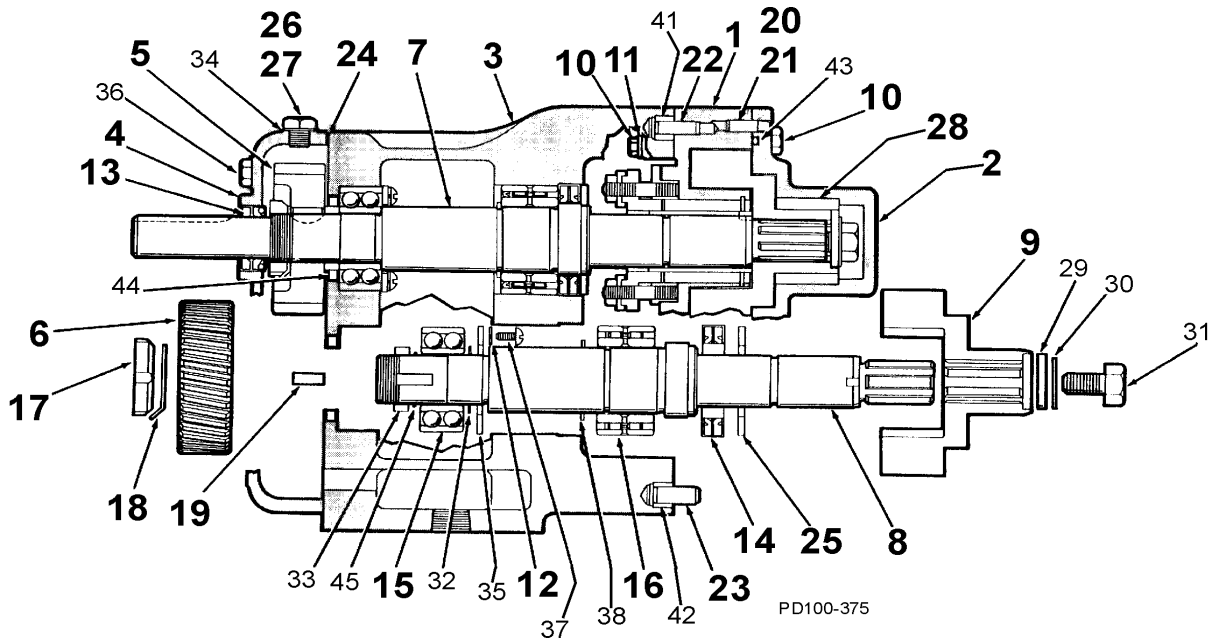
25I - 25DI PUMP PARTS PRICE LIST

ITEM NO.	DESCRIPTION	QTY. PER PUMP	PART NO.	NOTES
1	25-I Pump Body	1	0B1 001 000	1
	25-DI Pump Body, Packing	1	BD1 001 002	1
	25-DI Pump Body, Mechanical Seal	1	BD1 001 001	1
2	25-I Pump Cover, SS	1	0B1 002 000	
	25-DI Pump Cover, DI	1	BD1 002 001	
3	Bearing Housing	1	0B1 105 000	
4	Housing Cover, Upper	1	BD0 106 U00	
	Housing Cover, Lower	1	BD0 106 L00	
5	Gear, Drive Shaft	1	0B1 007 H10	
6	Gear, Short Shaft	1	0B1 007 H20	
7	Drive Shaft, Packing	1	0B1 008 000	
	Drive Shaft, Mechanical Seal	1	0B1 008 004	
8	Short Shaft, Packing	1	0B1 009 000	
	Short Shaft, Mechanical Seal	1	0B1 009 004	
9	25-I Rotor, Alloy 88	2	0B1 010 200	2
	25-DI Rotor, DI	2	0B1 010 700	2
10	25-I HHCS, Cover (Replaces 0B1 011 000)	12	30-34	
	25-DI HHCS, Cover (Replaces STD 081 015)	12	30-349	
11	25-I Lock washer (Replaces 0B1 011 100)	4	43-15	
	25-DI Lock washer (Replaces CD0 013 000)	4	43-187	
12	Lock washer, Brg Ret. Plate (Replaces BD0 013 000)	8	43-106	
13	Oil Seal, Gear Cover	1	BD0 030 000	
14	Oil Seal, Front Housing	2	BBB 030 100	
15	Ball Bearing, Rear	2	BD0 036 000	
16	Roller Bearing, Front	2	0B1 036 300	
17	Locknut, Gear	2	BD0 036 N00	
18	Lock washer, Gear	2	BD0 036 W00	
19	Woodruff, Key, Gear	2	BD0 037 000	
20	Dowel Pin, Upper Cover Side	1	BD0 040 000	
21	Dowel Pin, Lower Cover Side	1	BD0 040 100	
22	Dowel Pin, Upper Housing Side	1	BD0 040 200	
23	Dowel Pin, Lower Housing Side	1	BD0 040 300	
24	Silicone Sealant (Replaces BD0 042 000 Gasket)	1	000 142 301	
25	Slinger	2	0B1 045 000	
26	Cap Screw; Oil Fill (Replaces BD0 046 000)	2	30-336	
27	Cap Screw, Breather	1	BD0 046 100	
28	Cover Bushing, Standard	2	0B1 048 000	
	Cover Bushing, Alloy 88	2	0B1 048 W00	
	Cover Bushing, Rulon	2	35382	

NOTES:

1. Contact Factory with Serial Number of pump for Part Number.
2. Standard clearances and finishes for Rotor Part Numbers shown. Contact Factory for optional clearances and finishes.

25I - 25DI Pump Parts Diagram



25I - 25DI PUMP AND VENTED COVER PARTS PRICE LIST

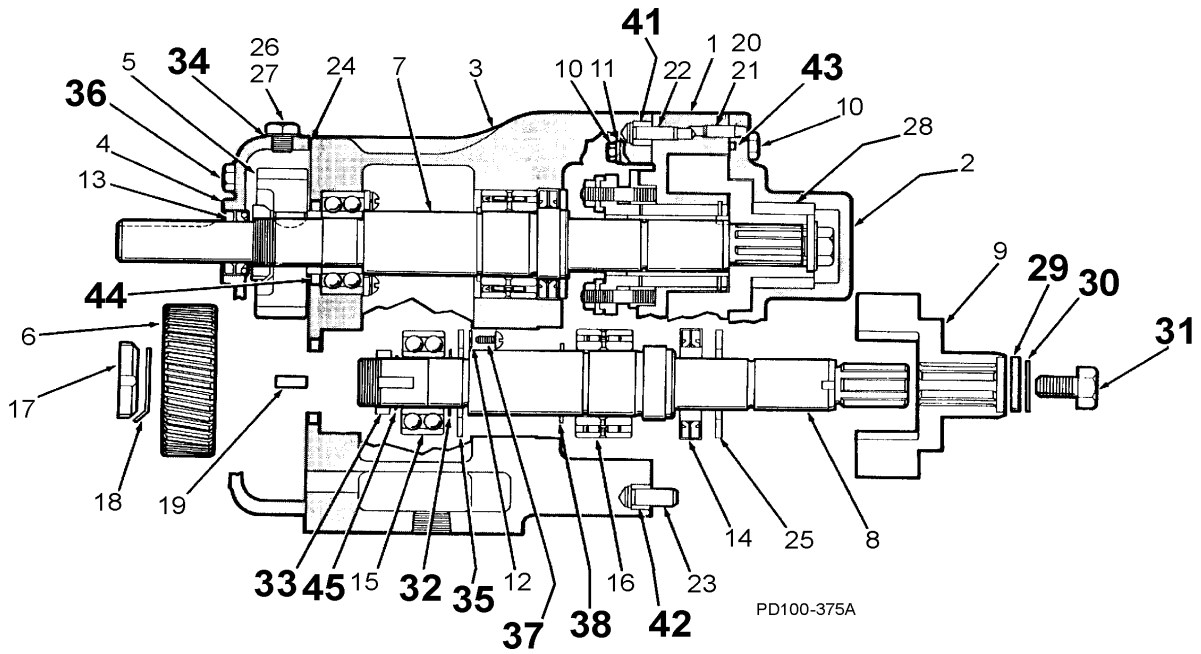
ITEM NO.	DESCRIPTION	QTY. PER PUMP	PART NO.	NOTES
29	Washer, Rotor Retainer	2	0B1 052 A00	
30	Rotor Lock Clip	2	0B1 052 C00	
31	HHCS, Rotor Retaining Plate (Replaces 0C1 052 004)	2	30-36X	
32	Shim, (.002)	AR	BD0 054 002	
	Shim, (.006)	AR	BD0 054 006	
33	Spacer	2	BD0 055 000	
34	Fiber Washer	3	BD0 065 100	
35	Bearing Retaining Plate	2	0B1 080 000	
36	HHCS, Bearing Housing Cover (Replaces BD0 081 000)	6	30-337	
37	Screw, Brg. Ret. Plate (Replaces BD0 083 000)	8	30-338	
38	Truarc Ring, External	2	BD0 087 R00	
39	Grease Fitting, 1/8"	4	BD0 092 000	
40*	Plastic Clean Out Plug	1	BD0 121 100	
41	Dowel Bushing, Upper	1	BD0 116 000	
42	Dowel Bushing, Lower	1	BD0 116 100	
* * * *	O-Ring, Pump Cover, Buna N (Replaces BD0 117 000)	1	N70261	
	O-Ring, Pump Cover, Silicone (Replaces BD0 117 SC0)	1	S75261	
	O-Ring, Pump Cover, FKM (Replaces BD0 117 V00)	1	V70261	
	O-Ring, Pump Cover, EPDM (Replaces BD0 117 E00)	1	E70261	
44	Rear Oil Seal, Bearing Housing	2	BD0 119 000	
45	Spacer Seal	2	BD0 127 000	
MANUAL VENTED COVER				
101	Relief Cover	1	020 002 001	
102	Adjusting Screw	1	000 060 001	
104	Adjusting Screw Jam Nut	1	36-92	
105	Relief Spring	1	000 076 003	
118	Adapter	1	020 071 000	
119	Hex Head Cap Screw	2	30-283	
* * * *	Piston O-Ring, Buna N	1	N70222	25
	Piston O-Ring, EPDM	1	E70222	
	Piston O-Ring, FKM	1	V70222	
	Piston O-Ring, FFKM	1	K75222	
121	Bushing	1	020 116 002	
122	Bushing	1	020 116 003	
* * * *	Adapter O-Ring, Buna N	1	N70034	25
	Adapter O-ring, EPDM	1	E70034	
	Adapter O-Ring, FKM	1	V70034	
	Adapter O-ring, FFKM	1	K75034	
124	Spring, Retainer	1	020 176 000	
125	Piston	1	020 073 000	

NOTES:

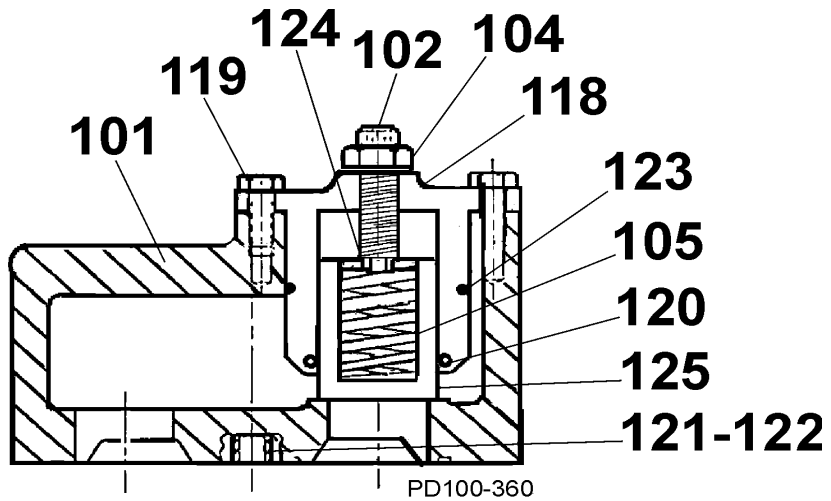
25. Sold in packages of 25 only.

* **Recommended Spare Parts**

25I - 25DI Pump and Vented Cover Parts Diagram



Vented Cover Diagram



25I - 25DI MECHANICAL SEAL AND PACKING PARTS PRICE LIST

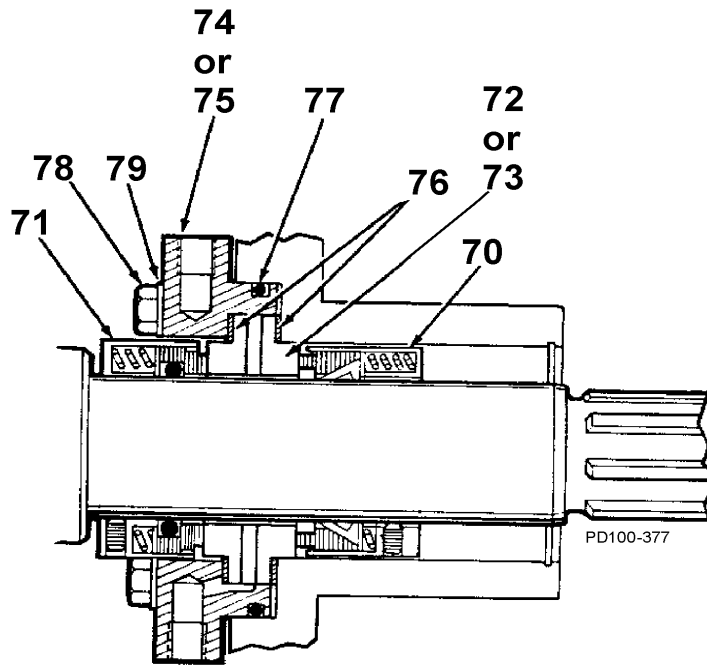
ITEM NO.	DESCRIPTION	QTY. PER PUMP	PART NO.	NOTES
MECHANICAL SEAL PARTS				
* 70	Crane #9 Inside Seal, Carbon	2	0B1 114 000	
* 70	Crane #1 Inside Seal, Carbon	2	BBB 114 100	
* 71	Crane #8B2 Outside Seal, Carbon	2	0B1 114 FP0	
* 71	Crane #2 Outside Seal, Carbon	2	0B1 114 100	
* 72	Seal Seat, Plain, Silicon Carbide	2	025 014 016	
* 72	Seal Seat, Plain, Ceramic	2	025 014 012	
* 72	Seal Seat, Plain, Tungsten Carbide	2	025 014 013	
* 73	Seal Seat, Flushed, Silicon Carbide	2	025 014 031	
* 73	Seal Seat, Flushed, Ceramic	2	025 014 027	
* 73	Seal Seat, Flushed, Tungsten Carbide	2	025 014 028	
74	Gland, Plain	2	0B1 034 001	
75	Gland, Flushed	2	0B1 034 003	
* 76	Gasket	4	025 042 001	
* 77	O-Ring, Gland, Buna N	2	N70147	
* 77	O-Ring, Gland, EPDM	2	E70147	
* 77	O-Ring, Gland, FKM	2	V70147	
* 77	O-Ring, Gland, FFKM	2	K75147	
* 77	O-Ring, Gland, Teflon Encapsulated	2	T80147	
78	HHCS, Gland Bolt (Replaces 000 081 026)	8	30-93	
79	Lock washer (Replaces 0C1 013 000)	8	43-22	
PACKING PARTS				
50	Packing	10 Rings	0B1 033 000	
* 51	Sleeve, Standard	2	0B1 098 000	
* 51	Sleeve, Ceramic Coated	2	0B1 098 001	
52	Gland (Replaces 0B1 004 000 & BD1 004 001)	2	112050	
* 53	O-Ring, Shaft, Buna N (Replaces 0B1 097 000)	2	N70024	25
* 53	O-Ring, Shaft, EPDM	2	E70024	25
* 53	O-Ring, Shaft, FKM	2	V70024	
54	Lantern Ring	2	0B1 047 000	
55	Packing Spacer	8	0B1 033 100	
56	Stud, Packing Gland	4	200 050 000	
57	HHCS (Replaces 0B1 050 100)	4	36-41	
58	Retainer Ring	2	0B1 051 000	
59	Retainer Spring (Replaces 0B1 087 SW0)	2	40067	
60	Gland, Insert	2	0B1 050 200	
61	Gasket Insert	2	0B1 043 300	
62	Washer, Gland	4	0C1 049 000	
65	Hex Cap Screw (Replaces 0C1 046 000)	8	30-62	
66	Lock washer, 1/4" (Replaces 0C1 013 000)	8	43-22	

NOTES:

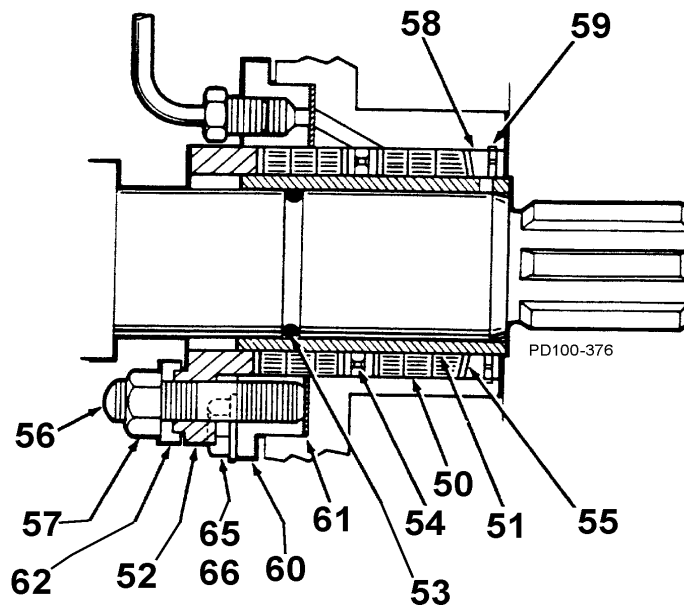
25. Sold in packages of 25 only.

* **Recommended Spare Parts**

25I - 25DI Mechanical Seal and Packing Parts Diagram



Mechanical Seal Diagram



Packing Diagram

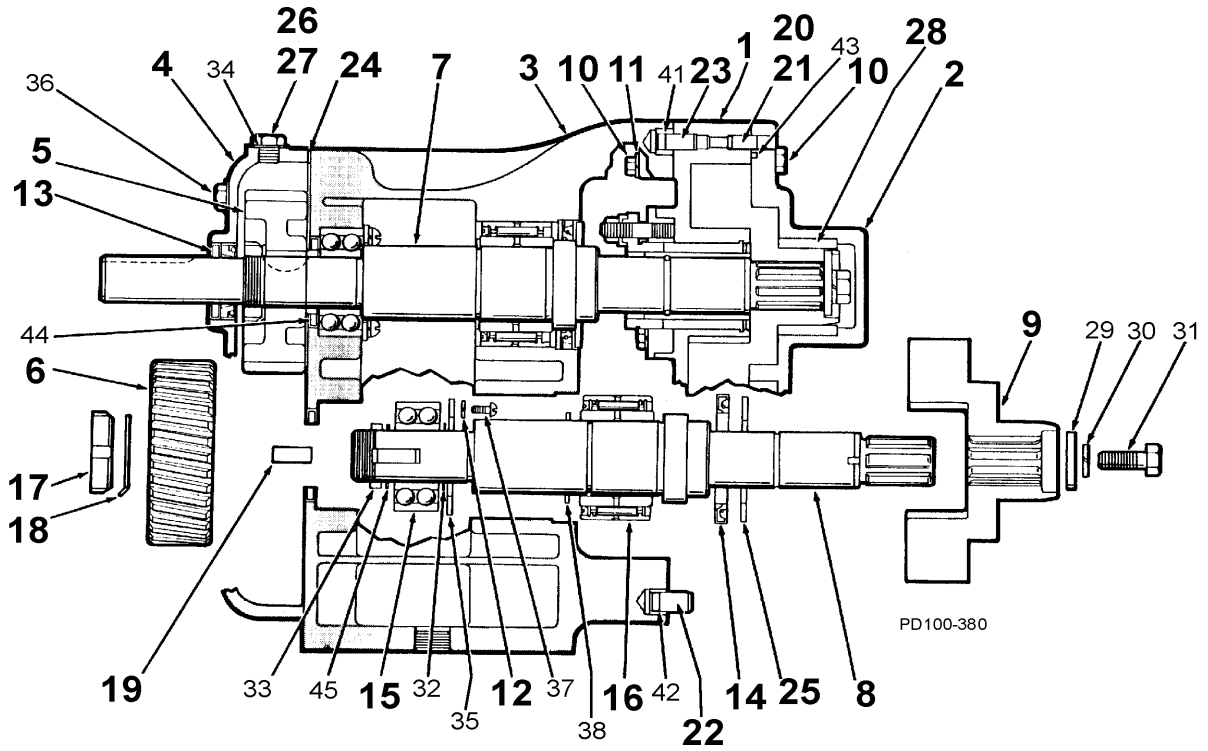
55I - 55DI PUMP PARTS PRICE LIST

ITEM NO.	DESCRIPTION	QTY. PER PUMP	PART NO.	NOTES
1	55-I Pump Body, SS	1	0C1 001 000	
	55-DI Pump Body, Packing	1	CD1 001 001	
	55-DI Pump Body, Mechanical Seal	1	CD1 001 002	
2	55-I Pump Cover, SS	1	0C1 002 000	
	55-DI Pump Cover, DI	1	CD1 002 001	
3	Bearing Housing	1	0C1 105 000	
4	Housing Cover, Upper	1	CD0 106 U00	
	Housing Cover, Lower	1	CD0 106 L00	
5	Gear, Drive Shaft	1	0C1 007 H10	
6	Gear, Short Shaft	1	0C1 007 H20	
7	Drive Shaft, Packing	1	0C1 008 000	
	Drive Shaft, Mechanical Seal	1	0C1 008 004	
8	Short Shaft, Packing	1	0C1 009 000	
	Short Shaft, Mechanical Seal	1	0C1 009 004	
9	55-I Rotor, Alloy 88	2	0C1 010 200	2
	55-DI Rotor, DI	2	0C1 010 700	2
10	55-I HHCS, Body & Cover (Replaces 0C1 011 000)	12	30-60	
	55-DI HHCS, Body & Cover (Replaces STD 081 022)	12	30-351	
11	55-I Lockwasher (Replaces 0C1 011 100)	4	43-28	
	55-DI Lockwasher (Replaces CD0 013 000)	4	43-180	
12	Lock washer, Brg. Ret. Plate (Replaces CD0 013 000)	8	43-187	
13	Oil Seal, Gear Cover	1	CD0 030 000	
14	Oil Seal, Front Housing	2	CBB 030 1CC	
15	Ball Bearing, Rear	2	CD0 036 000	
16	Roller Bearing, Front	2	0C1 036 300	
17	Locknut, Gear	2	CD0 036 N00	
18	Lock washer, Gear	2	CD0 036 W00	
19	Woodruff, Key, Gear	2	0C1 037 000	
20	Dowel Pin, Upper Cover Side	1	CD0 040 000	
21	Dowel Pin, Lower Cover Side	1	CD0 040 100	
22	Dowel Pin, Lower Housing Side	1	CD0 040 R10	
23	Dowel Pin, Upper Housing Side	1	CD0 040 R00	
24	Silicone Sealant (Replaces CD0 042 000 Gasket)	1	000 142 301	
25	Slinger	2	0C1 045 000	
26	Cap Screw; Oil Fill (Replaces CD0 046 000)	2	30-220	
27	Cap Screw, Breather	1	CD0 046 100	
28	Cover Bushing, Carbon	2	0C1 048 000	
	Cover Bushing, Alloy 88	2	0C1 048 W00	
	Cover Bushing, Rulon	2	35383	

NOTES:

1. Contact Factory with Serial Number of pump for Part Number.
2. Standard clearances and finishes for Rotor Part Numbers shown. Contact Factory for optional clearances and finishes.

55I - 55DI Pump Parts Diagram



55I - 55DI PUMP AND VENTED COVER PARTS PRICE LIST

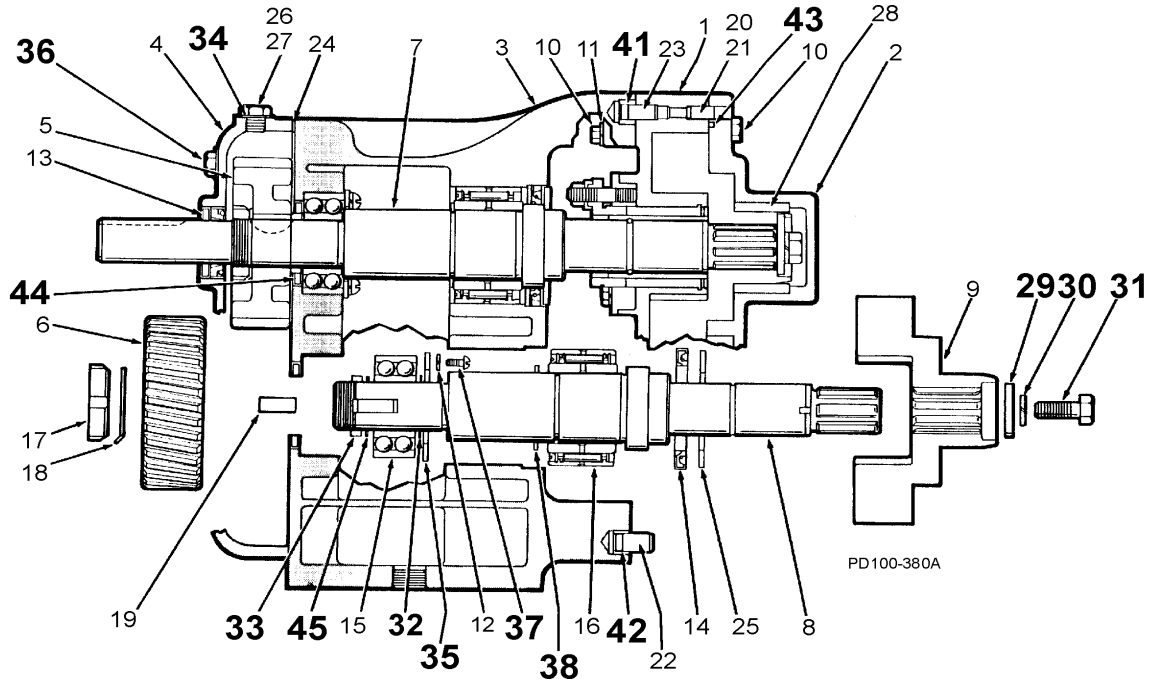
ITEM NO.	DESCRIPTION	QTY. PER PUMP	PART NO.	NOTES
29	Washer, Rotor Retaining	2	0C1 052 A00	
30	Rotor Lock Clip	2	0C1 052 C00	
31	HHCS, Rotor Retaining Plate (Replaces 0C1 052 004)	2	30-36X	
32	Shim, (.002)	AR	CD0 054 002	
	Shim, (.006)	AR	CD0 054 006	
33	Spacer	2	CD0 055 000	
34	Fiber Washer	3	AD0 064 000	
35	Bearing Retaining Plate	2	0C1 080 000	
36	HHCS, Bearing Housing Cover (Replaces CD0 081 000)	6	30-339	
37	Screw, Bearing Retaining Plate (Replaces CD0 083 000)	8	30-340	
38	Truarc Ring, External	2	0C1 087 R00	
39	Grease Fitting, 1/8	4	BD0 092 000	
40*	Clean Out Plug	1	BD0 121 100	
41	Dowel Bushing, Upper	1	CD0 116 000	
42	Dowel Bushing, Lower	1	CD0 116 100	
* * * *	43 O-Ring, Pump Cover, Buna N (Replaces CD0 117 000)	1	N70272	
	O-Ring, Pump Cover, Silicone (Replaces CD0 117 SC0)	1	S75272	
	O-Ring, Pump Cover, FKM (Replaces CD0 117 V00)	1	V70272	
	O-Ring, Pump Cover, EPDM (Replaces CD0 117 E00)	1	E70272	
44	Rear Oil Seal, Bearing Housing	2	CD0 119 000	
45	Spacer Seal	2	CD0 127 000	
MANUAL VENTED COVER				
101	Relief Cover	1	050 002 001	
102	Adjusting Screw	1	000 060 001	
104	Adjusting Screw Jam Nut	1	36-99	
105	Relief Spring	1	000 076 002	
118	Adapter	1	050 071 000	
119	Hex Head Cap Screw	4	30-349	
* * * *	120 Piston O-Ring, Buna N	1	N70227	25
	Piston O-Ring, EPDM	1	E70227	
	Piston O-Ring, FKM	1	V70227	
	Piston O-Ring, FFKM	1	K75227	
121	Bushing	1	050 116 002	
122	Bushing	1	050 116 003	
* * * *	123 Adapter O-Ring, Buna N	1	N70041	25
	Adapter O-ring, EPDM	1	E70041	
	Adapter O-Ring, FKM	1	V70041	
	Adapter O-ring, FFKM	1	K75041	
124	Spring, Retainer	1	050 176 000	
125	Piston	1	050 073 000	

NOTES:

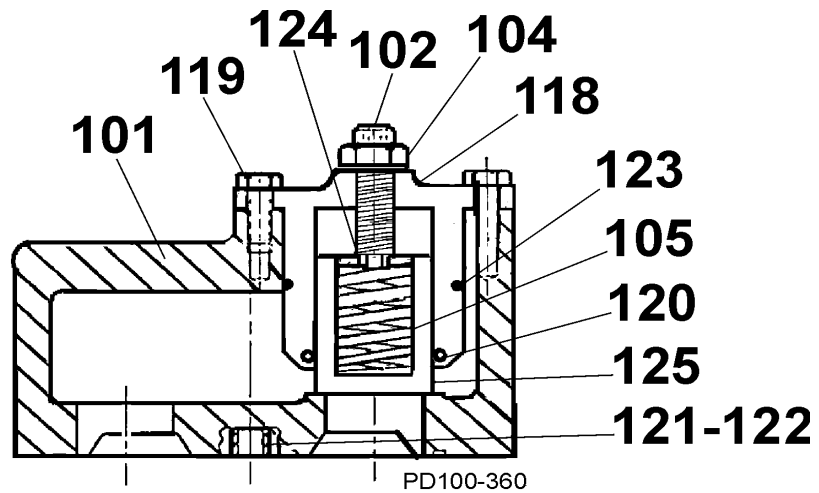
25. Sold in packages of 25 only.

* **Recommended Spare Parts**

55I - 55DI Pump and Vented Cover Parts Diagram



Vented Cover Diagram



55I - 55DI MECHANICAL SEAL AND PACKING PARTS PRICE LIS'

ITEM NO.	DESCRIPTION	QTY. PER PUMP	PART NO.	NOTES
MECHANICAL SEAL PARTS				
* 70	Crane #9 Inside Seal, Carbon	2	0C1 114 000	
* 70	Crane #1 Inside Seal, Carbon	2	CBB 114 CC0	
* 71	Crane #8B2 Outside Seal, Carbon	2	0C1 114 008	
* 71	Crane #2 Outside Seal, Carbon	2	0C1 114 100	
* 72	"T" Seat, Plain, Silicon Carbide	2	055 014 016	
* 72	"T" Seat, Plain, Ceramic	2	055 014 012	
* 72	"T" Seat, Plain, Tungsten Carbide	2	055 014 013	
* 73	"T" Seat, Flushed, Silicon Carbide	2	055 014 031	
* 73	"T" Seat, Flushed, Ceramic	2	055 014 027	
* 73	"T" Seat, Flushed, Tungsten Carbide	2	055 014 028	
74	Gland, Plain	2	0C1 034 001	
75	Gland, Flushed	2	0C1 034 003	
* 76	Gasket	4	055 042 001	
* 77	O-Ring, Gland, Buna N	2	N70152	25
* 77	O-Ring, Gland, EPDM	2	E70152	
* 77	O-Ring, Gland, FKM	2	V70152	
78	HHCS, Gland Bolt (Replaces 000 081 026)	8	30-93	
79	Lockwasher (Replaces 0C1 013 000)	8	43-22	
PACKING				
50	Packing	12 Rings	0C1 033 000	
* 51	Sleeve, SS	2	0C1 098 000	
* 51	Sleeve, Ceramic Coated	2	0C1 098 001	
52	Gland (Replaces 0C1 004 000)	2	112051	
* 53	O-Ring, Shaft, Buna N (Replaces 0C1 097 000)	2	N70028	25
* 53	O-Ring, Shaft, EPDM	2	E70028	25
* 53	O-Ring, Shaft, FKM	2	V70028	25
54	Lantern Ring	2	0C1 047 000	
55	Packing Spacer	2	0C1 033 100	
56	Stud, Packing Gland	4	0C1 050 000	
57	Hex Nut (Replaces 0C1 050 100)	4	36-45	
58	Retainer Ring	2	0C1 051 000	
59	Retainer Spring (Replaces 0C1 087 SW0)	2	40068	
60	Gland, Insert	2	0C1 050 200	
61	Gasket Insert	2	0C1 043 300	
66	Hex Cap Screw (Replaces 0C1 046 000)	8	30-62	
67	Lockwasher (Replaces 0C1 013 000)	8	43-22	

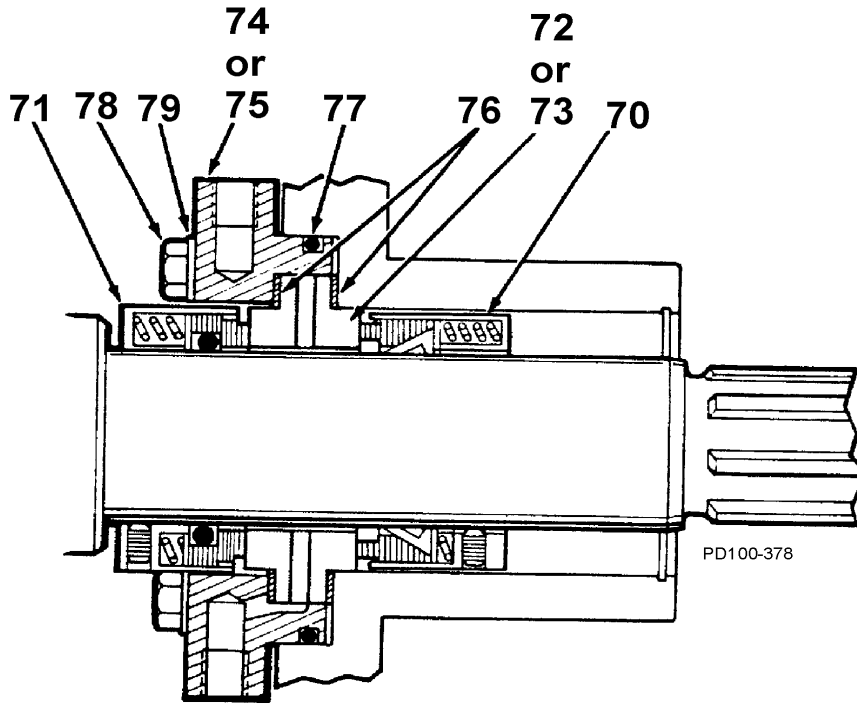
NOTES:

25. Sold in packages of 25 only.

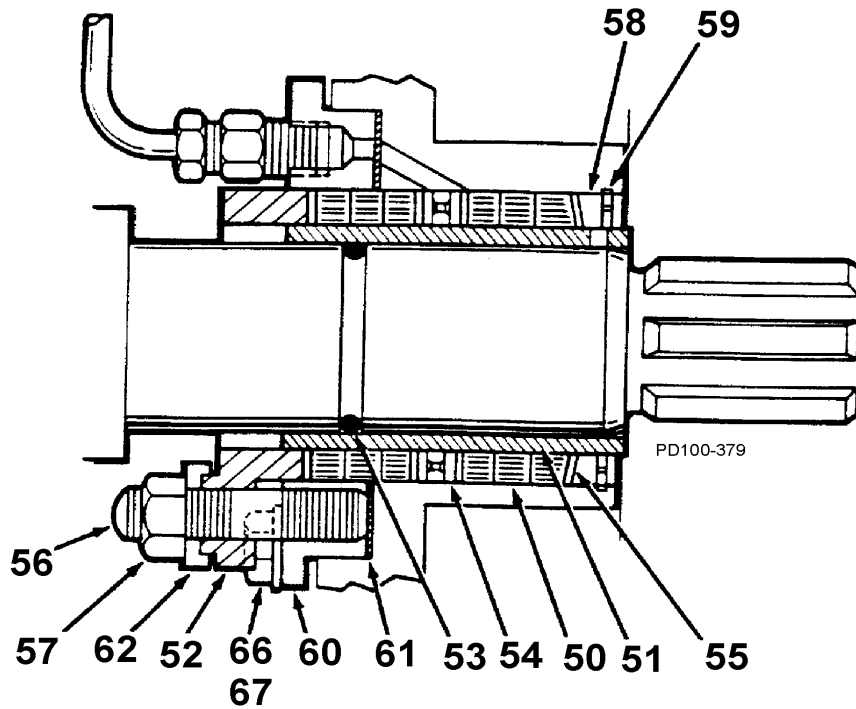
* **Recommended Spare Parts**

55I - 55DI Mechanical Seal and Packing Parts Diagram

Mechanical Seal Diagram



Packing Diagram



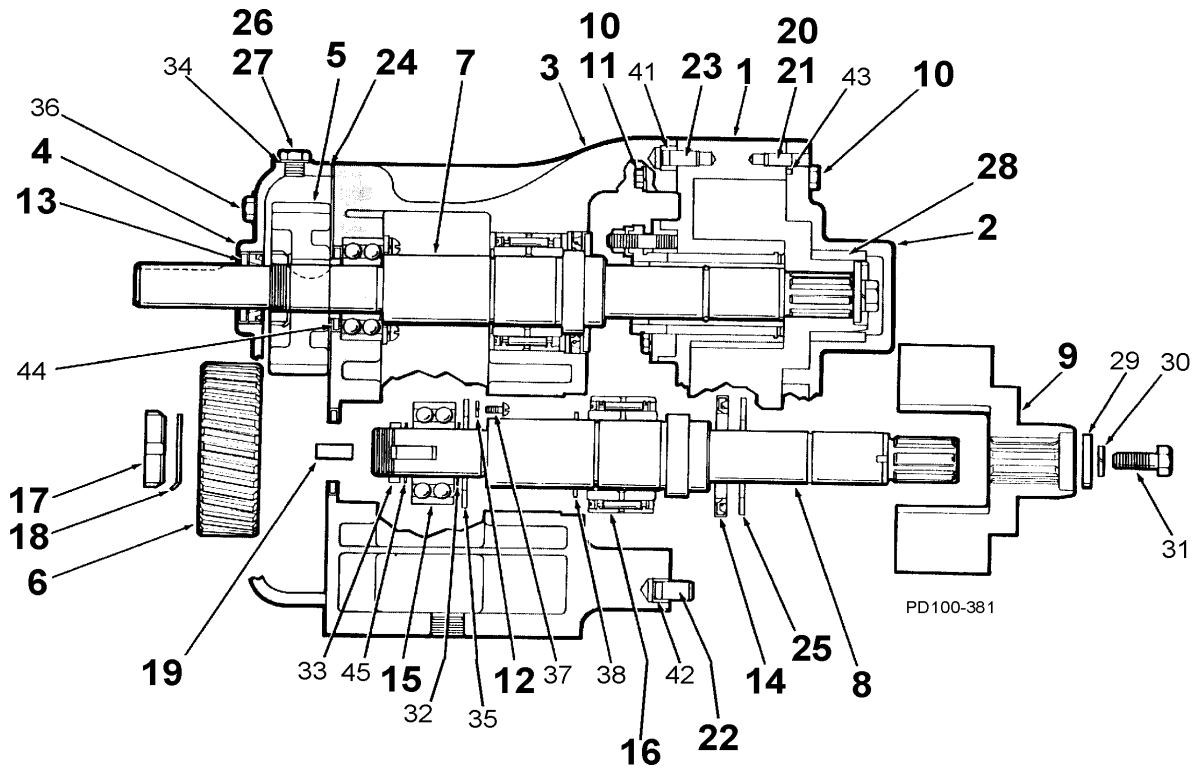
125I - 125DI PUMP PARTS PRICE LIST

ITEM NO.	DESCRIPTION	QTY. PER PUMP	PART NO.	NOTES
1	125-I Pump Body	1	0E1 001 000	
	125-DI Pump Body, Packing	1	ED1 001 001	
	125-DI Pump Body, Mechanical Seal	1	ED1 001 002	
2	125-I Pump Cover, SS	1	0C1 002 000	
	125-DI Pump Cover, DI	1	CD1 002 001	
3	Bearing Housing	1	0C1 105 000	
4	Housing Cover, Upper	1	CD0 106 U00	
	Housing Cover, Lower	1	CD0 106 L00	
5	Gear, Drive Shaft	1	0C1 007 H10	
6	Gear, Short Shaft	1	0C1 007 H20	
7	Drive Shaft, Packing	1	0E1 008 000	
	Drive Shaft, Mechanical Seal	1	0E1 008 004	
8	Short Shaft, Packing	1	0E1 009 000	
	Short Shaft, Mechanical Seal	1	0E1 009 004	
9	125-I Rotor, Alloy 88	2	0E1 010 200	2
	125-DI Rotor, DI	2	0E1 010 700	2
10	125-I HHCS, Body & Cover (Replaces 0C1 011 000)	12	30-60	
	125-DI HHCS, Body & Cover (Replaces STD 081 022)	12	30-351	
11	125-I Lock washer (Replaces 0C1 011 100)	4	43-28	
	125-DI Lock washer (Replaces CD0 013 000)	4	43-187	
12	Lock washer, Brg. Retainer Plate (Replaces CD0 013 000)	8	43-187	
13	Oil Seal, Bearing Housing Cover	1	CD0 030 000	
14	Oil Seal, Bearing Housing, Front	2	CBB 030 1CC	
15	Ball Bearing, Rear	2	CD0 036 000	
16	Roller Bearing, Front	2	0C1 036 300	
17	Locknut, Gear	2	CD0 036 N00	
18	Lock washer, Gear	2	CD0 036 W00	
19	Woodruff, Key, Gear	2	0C1 037 000	
20	Dowel Pin, Upper Cover Side	1	CD0 040 000	
21	Dowel Pin, Lower Cover Side	1	CD0 040 100	
22	Dowel Pin, Lower Housing Side	1	CD0 040 R10	
23	Dowel Pin, Upper Housing Side	1	CD0 040 R00	
24	Silicone Sealant (Replaces CD0 042 000 Gasket)	1	000 142 301	
25	Slinger	2	0C1 045 000	
26	Cap Screw; Oil Fill and Drain (Replaces CD0 046 000)	2	30-220	
27	Cap Screw, Breather	1	CD0 046 100	
28	Cover Bushing, Carbon	2	0C1 048 000	
	Cover Bushing, Alloy 88	2	0C1 048 W00	
	Cover Bushing, Rulon	2	35383	

NOTES:

1. Contact Factory with Serial Number of pump for Part Number.
2. Standard clearances for Rotor Part Numbers shown. Contact Factory for optional clearances.

125I - 125DI Pump Parts Diagram



125I - 125DI PUMP and VENTED COVER PARTS PRICE LIST

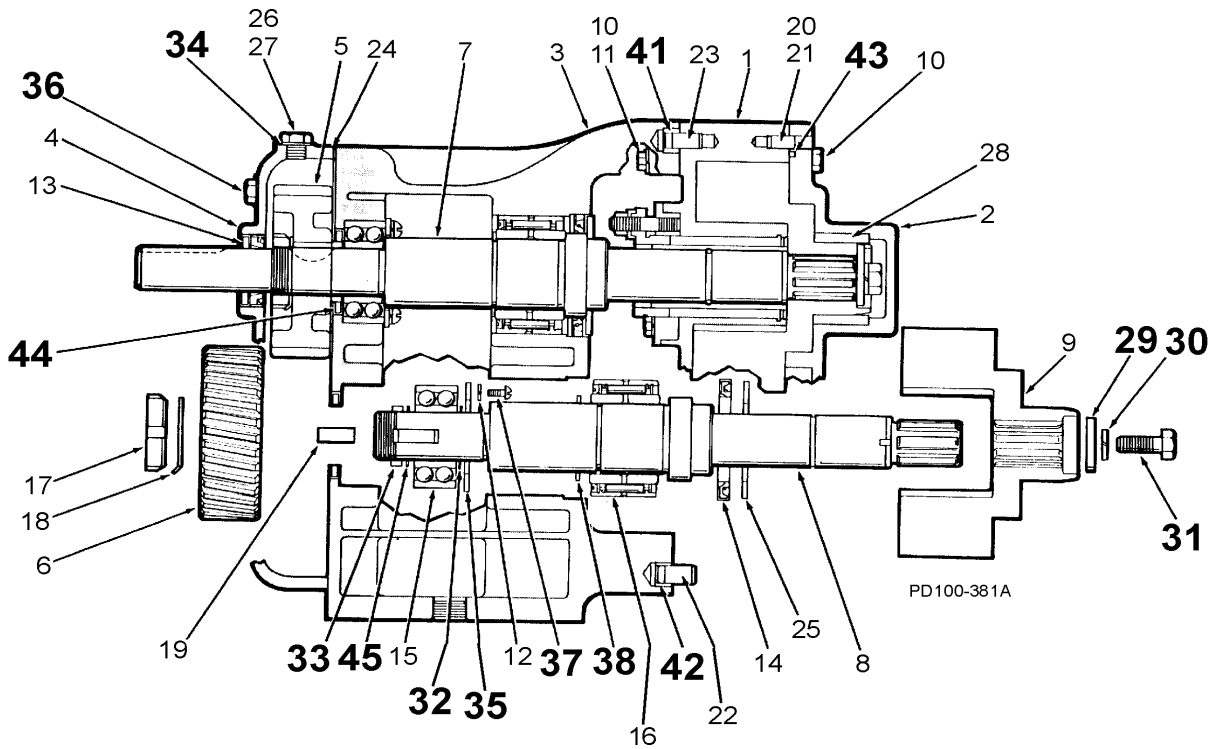
ITEM NO.	DESCRIPTION	QTY. PER PUMP	PART NO.	NOTES
29	Washer, Rotor Retaining	2	0C1 052 A00	
30	Rotor Lock Clip	2	0C1 052 C00	
31	HHCS, Rotor Retaining Plate (Replaces 0C1 052 004)	2	30-36X	
32	Shim, (.002)	AR	CD0 054 002	
	Shim, (.006)	AR	CD0 054 006	
33	Spacer	2	CD0 055 000	
34	Fiber Washer	3	AD0 064 000	
35	Bearing Retaining Plate	2	0C1 080 000	
36	HHCS, Bearing Housing Cover (Replaces CD0 081 000)	6	30-339	
37	Screw, Bearing Retaining Plate (Replaces CD0 083 000)	8	30-340	
38	Truarc Ring, External	2	0C1 087 R00	
39	Grease Fitting, 1/8"	4	BD0 092 000	
40*	Cleanout Plug	1	BD0 121 100	
41	Dowel Bushing, Upper	1	CD0 116 000	
42	Dowel Bushing, Lower	1	CD0 116 100	
* * * *	O-Ring, Pump Cover, Buna N (Replaces CD0 117 000)	1	N70272	
	O-Ring, Pump Cover, Silicone (Replaces CD0 117 SC0)	1	S75272	
	O-Ring, Pump Cover, FKM (Replaces CD0 117 V00)	1	V70272	
	O-Ring, Pump Cover, EPDM (Replaces CD0 117 E00)	1	E70272	
44	Rear Oil Seal, Bearing Housing	2	CD0 119 000	
45	Spacer Seal	2	CD0 127 000	
MANUAL VENTED COVER				
101	Relief Cover	1	050 002 001	
102	Adjusting Screw	1	000 060 001	
104	Adjusting Screw Jam Nut	1	36-99	
105	Relief Spring	1	000 076 002	
118	Adapter	1	050 071 000	
119	HHCS, 5/16-18 x 1" ZP2	4	30-349	
* * * *	Piston O-Ring, Buna N	1	N70227	25
	Piston O-Ring, EPDM	1	E70227	
	Piston O-Ring, FKM	1	V70227	
	Piston O-Ring, FFKM	1	K75227	
121	Bushing	1	050 116 002	
122	Bushing	1	050 116 003	
* * * *	Adapter O-Ring, Buna N	1	N70041	25
	Adapter O-ring, EPDM	1	E70041	
	Adapter O-Ring, FKM	1	V70041	
	Adapter O-ring, FFKM	1	K75041	
124	Spring, Retainer	1	050 176 000	
125	Piston	1	050 073 000	

NOTES:

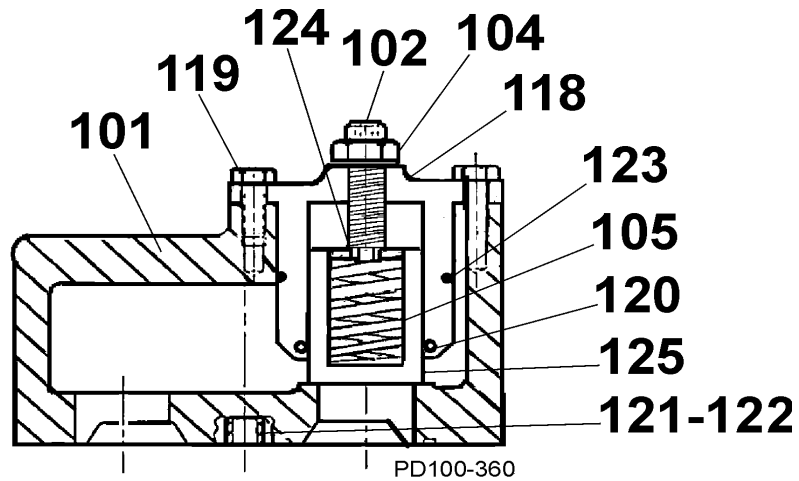
25. Sold in packages of 25 only.

*** Recommended Spare Parts**

125I - 125DI Pump and Vented Cover Parts Diagram



Vented Cover Diagram



125I - 125DI MECHANICAL SEAL and PACKING PARTS PRICE LIST

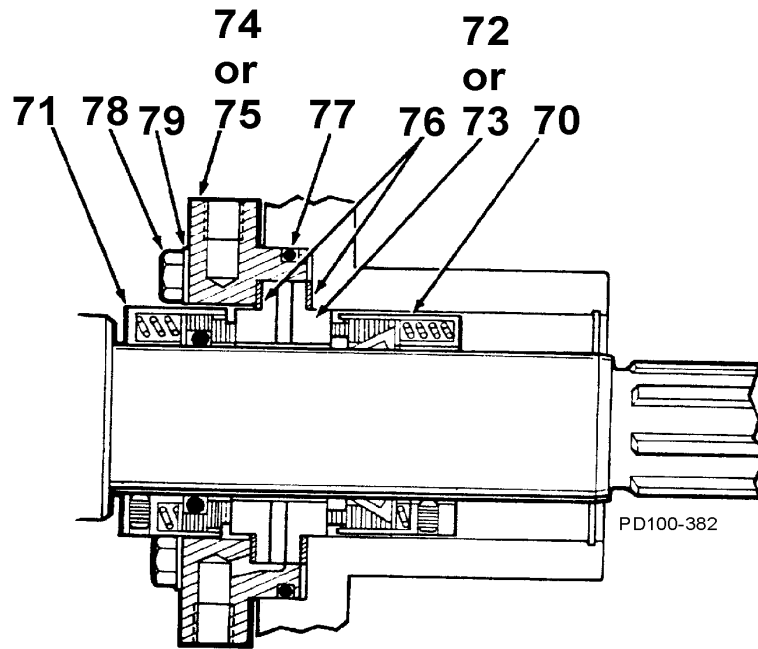
ITEM NO.	DESCRIPTION	QTY. PER PUMP	PART NO.	NOTES
MECHANICAL SEAL PARTS				
* 70	Crane #9 Inside Seal, Carbon	2	0C1 114 000	
* 70	Crane #1 Inside Seal, Carbon	2	0E1 114 001	
* 71	Crane #8B2 Outside Seal, Carbon	2	0C1 114 008	
* 71	Crane #2 Outside Seal, Carbon	2	0C1 114 100	
* 72	"T" Seat, Plain, Silicone Carbide	2	055 014 016	
* 72	"T" Seat, Plain, Ceramic	2	055 014 012	
* 72	"T" Seat, Plain, Tungsten Carbide	2	055 014 013	
* 73	"T" Seat, Flushed, Silicone Carbide	2	055 014 031	
* 73	"T" Seat, Flushed, Ceramic	2	055 014 027	
* 73	"T" Seat, Flushed, Tungsten Carbide	2	055 014 028	
74	Gland, Plain	2	0C1 034 001	
75	Gland, Flushed	2	0C1 034 003	
* 76	Gasket	4	055 042 001	
* 77	O-Ring, Gland, Buna N	2	N70152	25
* 77	O-Ring, Gland, EPDM	2	E70152	
* 77	O-Ring, Gland, FKM	2	V70152	
78	HHCS, Gland Bolt (Replaces 000 081 026)	8	30-93	
79	Lockwasher (Replaces 0C1 013 000)	8	43-22	
PACKING PARTS				
50	Packing	12 Rings	0C1 033 000	
* 51	Sleeve, SS	2	0E1 098 000	
* 51	Sleeve, Ceramic Coated	2	0E1 098 001	
52	Gland (Replaces 0C1 004 000 & CD1 004 001)	2	112051	
* 53	O-Ring, Shaft, Buna N (Replaces 0C1 097 000)	2	N70028	25
* 53	O-Ring, Shaft, EPDM (Replaces 0C1 097 E00)	2	E70028	25
* 53	O-Ring, Shaft, FKM (Replaces 0C1 097 V00)	2	V70228	
* 53	O-Ring, Shaft, Silicone (Replaces 0C1 097 SC0)	2	S75028	25
54	Lantern Ring	2	0E1 047 000	
55	Packing Spacer	8	0C1 033 100	
56	Stud, Packing Gland	4	0C1 050 000	
57	Hex Nut (Replaces 0C1 050 100)	4	36-45	
58	Retaining Ring	2	0C1 051 000	
59	Retaining Spring (Replaces 0C1 087 SW0)	2	40068	
60	Gland, Insert	2	0C1 050 200	
61	Gasket Insert	2	0C1 043 300	
62	Washer, Gland	4	0C1 049 000	
66	Hex Cap Screw (Replaces 0C1 046 000)	8	30-62	
67	Lockwasher (Replaces 0C1 013 000)	8	43-22	

NOTES:

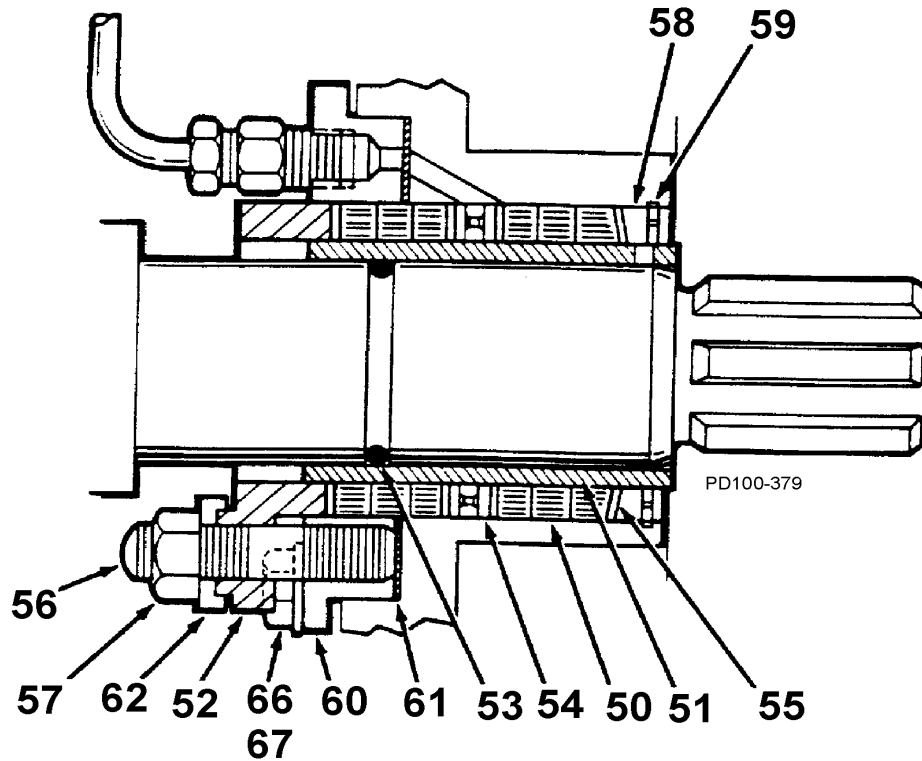
25. Sold in packages of 25 only.

* **Recommended Spare Parts**

125I - 125DI Mechanical Seal and Packing Parts Diagram



Mechanical Seal Diagram



Packing Diagram

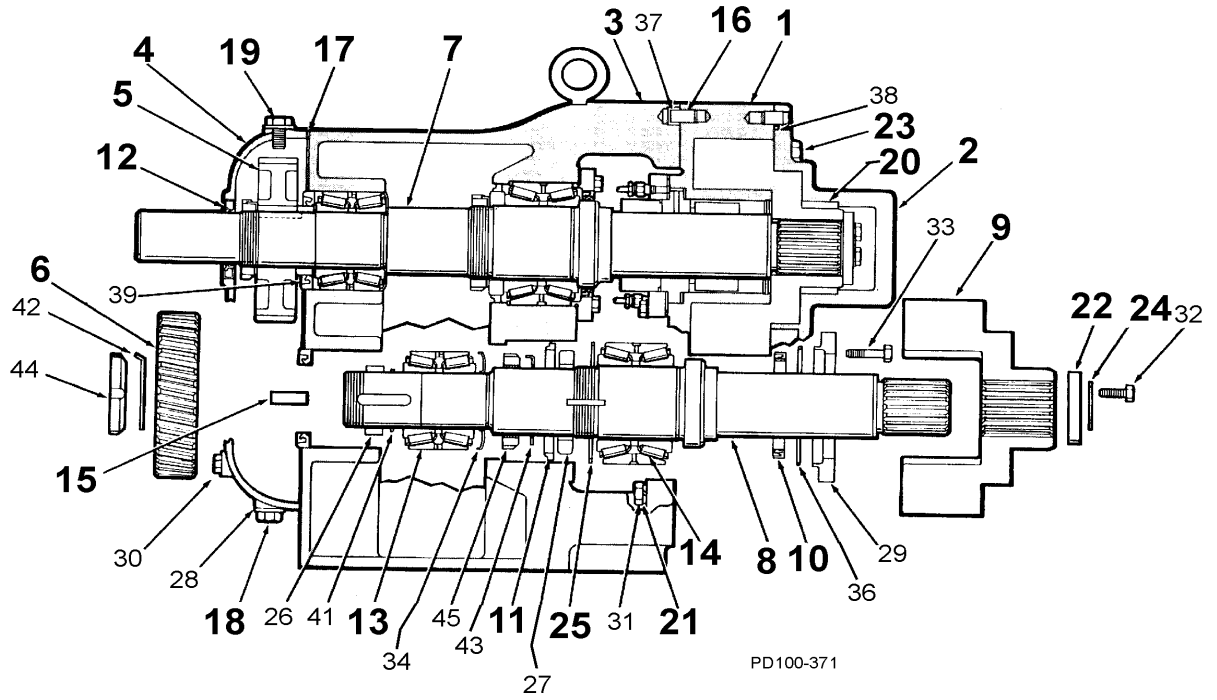
200I - 201DI PUMP PARTS PRICE LIST

ITEM NO.	DESCRIPTION	QTY. PER PUMP	PART NO.	NOTES
1	200-I Pump Body, Mechanical Seal	1	200 001 000	1
	200-I Pump Body, Packing	1	200 001 001	1
	201-DI Pump Body, Mechanical Seal	1	201 001 000	1
	201-DI Pump Body, Packing	1	201 001 001	1
2	200-I Pump Cover	1	200 002 000	
	201-DI Pump Cover	1	201 002 000	
3	Bearing Housing	1	200 105 001	
4	Housing Cover	1	200 106 000	
5	Gear, Drive Shaft	1	200 007 001	
6	Gear, Short Shaft	1	200 007 002	
7	Drive Shaft, Mechanical Seal	1	200 008 000	
	Drive Shaft, Packing	1	200 008 006	
8	Short Shaft, Mechanical Seal	1	200 009 000	
	Short Shaft, Packing	1	200 009 006	
9	200-I Rotor, Alloy 88	2	200 010 000	2
	201-DI Rotor, Ductile Iron	2	201 010 000	2
10	Grease Seal, Front Bearing Retainer	2	STD 030 002	
11	Oil Seal, Front	1	STD 030 005	
12	Oil Seal, Bearing Housing Cover	2	STD 030 006	
13	Roller Bearing, Rear	2	200 035 000	
14	Roller Bearing, Front	2	200 036 000	
15	Woodruff, Key, Gear	2	200 037 000	
16	Dowel Pin	4	CD0 040 R10	
17	Silicone Sealant (Replaces GD0 042 SM0 Gasket)	1	000 142 301	
18	Cap Screw; Oil, Drain, Level (Replaces CD0 046 000)	3	30-526	
19	Hex Cap Screw, Breather	1	CD0 046 100	
20	Rotor Bearing (Cover Bushing), Carbon	2	200 048 000	
	Rotor Bearing (Cover Bushing), Alloy 88	2	200 048 W00	
	Rotor Bearing (Cover Bushing), Rulon	2	35384	
21	Lock washer (Replaces 0C1 052 100)	4	43-16	
22	Washer, Rotor Retaining	2	200 052 000	
23	HHCS, Pump Cover (Replaces 0C1 052 004)	8	30-36X	
24	Lock Clip, Rotor	2	200 053 000	
25	Shim, (.002)	AR	220 054 002	
	Shim, (.006)	AR	220 054 006	

NOTES:

1. Contact Factory with Serial Number of pump for Part Number.
2. Standard clearances and finishes for Rotor Part Numbers shown. Contact Factory for optional clearances and finishes.

200I - 201DI Pump Parts Diagram



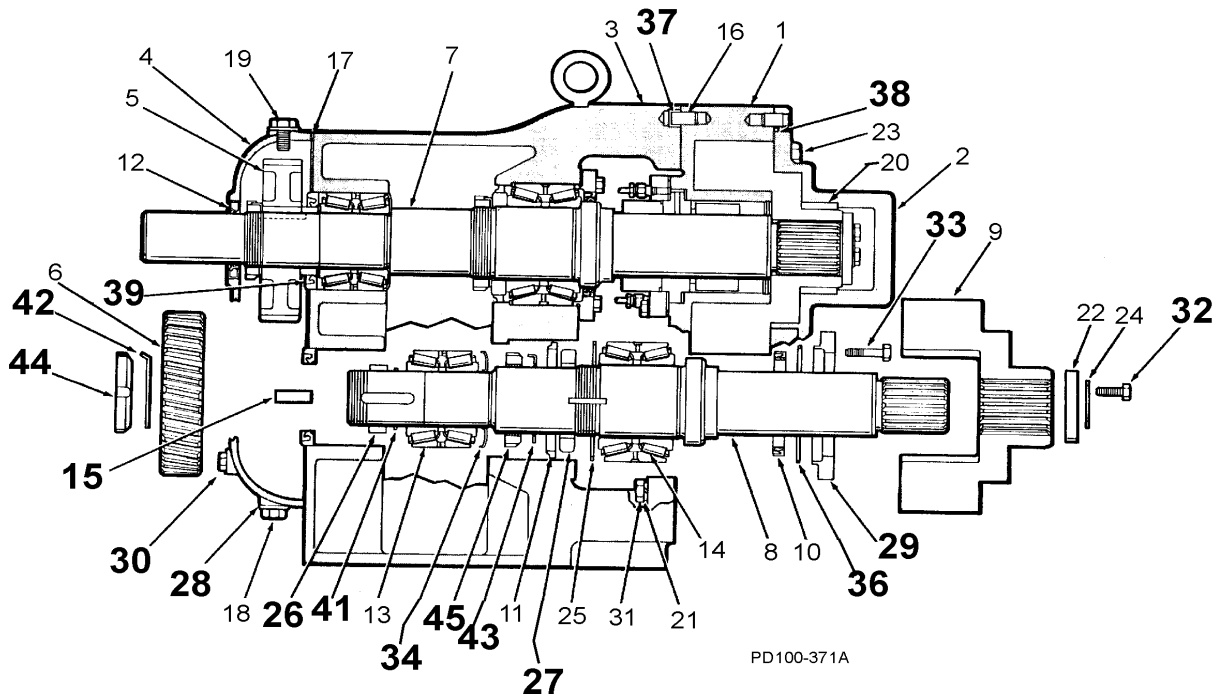
200I - 201DI PUMP AND VENTED COVER PARTS PRICE LIST

ITEM NO.	DESCRIPTION	QTY. PER PUMP	PART NO.	NOTES	
26	Spacer, Gear	2	200 055 000		
27	Spacer, Front Bearing	2	200 055 001		
28	Fiber Washer	4	AD0 064 000		
29	Retainer, Front Bearing	2	220 080 000		
30	HHCS, Housing Cover (Replaces GD0 081 000)	6	30-341		
32	HHCS, Rotor Retaining Screw (Replaces STD 081 014)	6	30-55X		
33	HHCS, Front Bearing Retainer (Replaces STD 081 022)	8	30-351		
34	Grease Retainer	2	STD 091 001		
35	Grease Fitting, 1/8	4	BD0 092 000		
36	Silicone Sealant (Replaces B70 137 047 or N70047 O-Ring)	2	000 142 301		
37	Dowel Bushing	2	CD0 116 100		
*	38	O-Ring, Pump Cover, Buna N	1	GD0 117 000	
*		O-Ring, Pump Cover, Silicone	1	GD0 117 SC0	
*		O-Ring, Pump Cover, FKM	1	GD0 117 V00	
*		O-Ring, Pump Cover, EPDM	1	GD0 117 002	
*		O-Ring, Pump Cover, Teflon Encapsulated	1	GD0 117 T00	
39	Oil Seal	2	STD 119 002		
40*	Cleanout Plug	1	BD0 121 100		
41	Spacer Seal	2	200 127 000		
42	Lockwasher, Gear Nut	2	STD 136 011		
43	Lockwasher, Front Bearing	2	STD 136 014		
44	Lock Nut, Gear	2	STD 236 011		
45	Lock Nut, Front Bearing	2	STD 236 014		
MANUAL VENTED COVER					
101	Relief Cover	1	200 002 001		
102	Adjusting Screw	1	000 060 001		
104	Adjusting Screw Jam Nut	1	36-99		
105	Relief Spring	1	000 076 005		
118	Adapter	1	200 071 000		
119	Hex Head Cap Screw	6	30-349		
*	120	Piston O-Ring, Buna N	1	N70232	
*		Piston O-Ring, FKM	1	V70232	
*		Piston O-Ring, FFKM	1	K75232	
*	123	Adapter O-Ring, Buna N	1	N70045	
*		Adapter O-Ring, FKM	1	V70045	
*		Adapter O-ring, FFKM	1	K75045	
124	Spring, Retainer	1	200 176 000		
125	Piston	1	200 073 000		

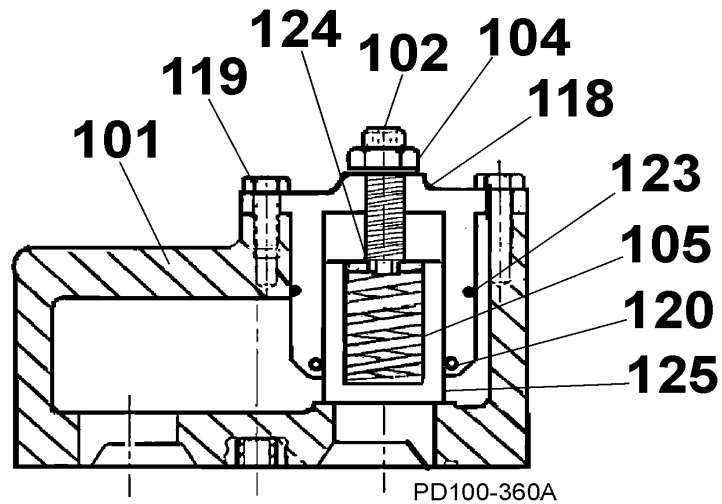
NOTES:

* Recommended Spare Parts

200I - 201DI Pump and Vented Cover Parts Diagram



Vented Cover Diagram



200I - 201DI MECHANICAL SEAL AND PACKING PARTS PRICE LIST

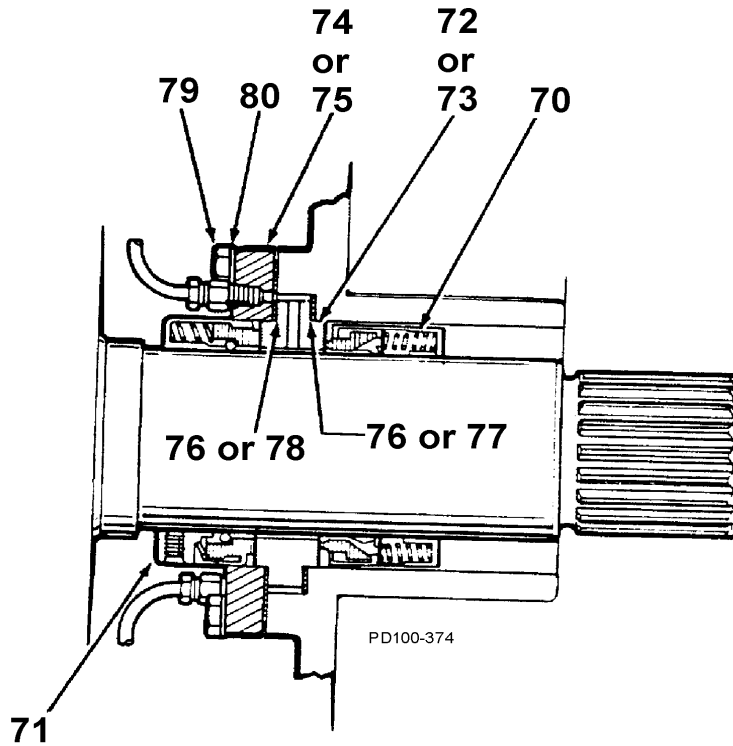
ITEM NO.	DESCRIPTION	QTY. PER PUMP	PART NO.	NOTES
MECHANICAL SEAL PARTS				
* 70	Crane #9 Inside Seal, Carbon	2	200 114 000	
* 70	Crane #1 Inside, Carbon	2	201 114 000	
* 71	Crane #8B2 Outside Seal, Carbon	2	200 114 002	
* 72	"T" Seat, Plain, Silicon Carbide	2	200 014 016	
* 72	"T" Seat, Plain, Ceramic	2	200 014 012	
* 72	"T" Seat, Plain, Tungsten Carbide	2	200 014 013	
* 73	"T" Seat, Flushed, Silicon Carbide	2	200 014 031	
* 73	"T" Seat, Flushed, Ceramic	2	200 014 027	
* 73	"T" Seat, Flushed, Tungsten Carbide	2	200 014 028	
74	Gland, Plain	2	200 034 000	
75	Gland, Flushed	2	200 034 001	
* 76	Gasket	4	200 042 001	
* 77	Gasket / Flush, Inner	2	200 042 001	
* 78	Gasket / Flush, Outer	2	200 042 002	
79	HHCS, Gland Bolt (Replaces 0B1 011 000)	8	30-34	
80	Lockwasher (replaces 0B1 011 100)	8	43-15	
PACKING PARTS				
50	Packing	8 Rings	200 033 000	
* 51	Sleeve, SS	2	200 098 000	
* 51	Sleeve, Ceramic Coated	2	200 098 003	
52	Gland (Replaces 200 004 000)	2	112052	
* 53	O-Ring, Shaft, Buna N (Replaces B70 137 140)	2	N70140	25
* 53	O-Ring, Shaft, EPDM	2	E70140	25
* 53	O-Ring, Shaft, FKM	2	V70140	
54	Lantern Ring	2	200 047 000	
55	Packing Spacer	8	200 032 000	
56	Stud, Packing Gland	4	200 050 000	
57	Hex Nut (Replaces 0C1 050 100)	4	36-41	
58	Retaining Ring	2	200 051 000	
59	Retaining Spring (Replaces 200 087 000)	2	40069	

NOTES:

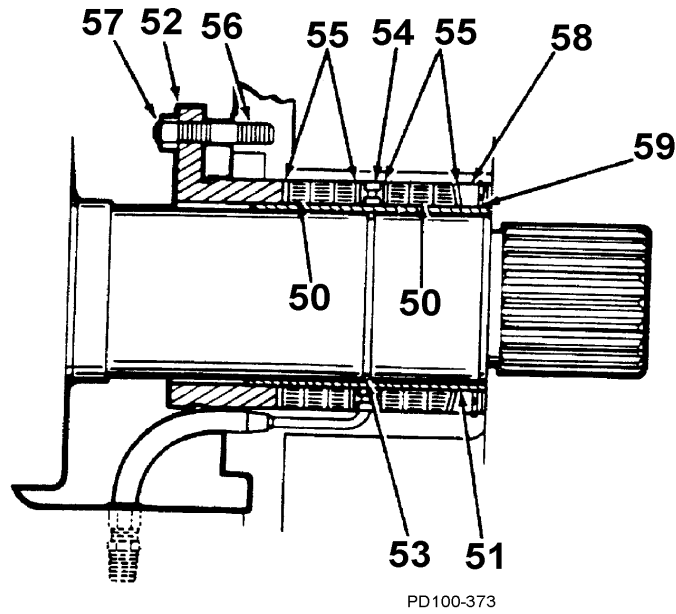
25. Sold in packages of 25 only.

* **Recommended Spare Parts**

200I - 201DI Mechanical Seal and Packing Parts Diagram



Mechanical Seal Diagram



Packing Diagram

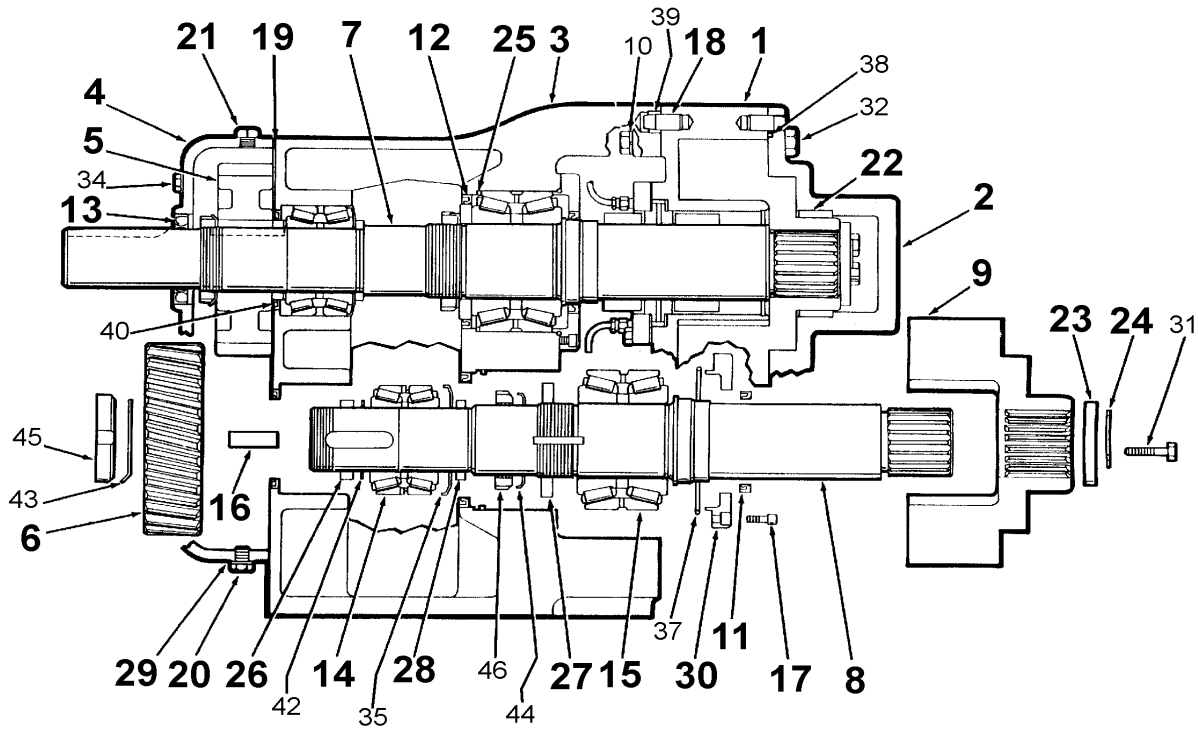
300I PUMP PARTS PRICE LIST

ITEM NO.	DESCRIPTION	QTY. PER PUMP	PART NO.	NOTES
1	Pump Body, Mechanical Seal	1	0H1 001 000	1
	Pump Body, Sanitary	1	0H1 001 003	1
2	Pump Cover	1	0H1 002 000	
	Pump Cover, Sanitary	1	0H1 002 002	
3	Bearing Housing	1	0H1 105 000	
4	Housing Cover	1	0H1 106 000	
5	Gear, Drive Shaft	1	0H1 007 001	
6	Gear, Short Shaft	1	0H1 007 002	
7	Drive Shaft, Mechanical Seal	1	0H1 008 000	
	Drive Shaft, Sanitary	1	0H1 008 002	
	Drive Shaft, Packing	1	0H1 008 006	
8	Short Shaft, Mechanical Seal	1	0H1 009 000	
	Short Shaft, Sanitary	1	0H1 009 002	
	Short Shaft, Packing	1	0H1 009 006	
9	Rotor, Twin Blade, Alloy 88	2	0H1 010 200	2
11	Grease Seal, Front Bearing Retainer	2	STD 030 002	
12	Grease Seal, Front Bearing Housing	2	STD 030 003	
13	Oil Seal, Bearing Housing Cover	2	STD 030 004	
14	Roller Bearing, Rear	2	0H1 036 000	
15	Roller Bearing, Front	2	0H1 036 003	
16	Woodruff, Key, Gear	2	0H1 037 000	
17	SHCS, Front Bearing Ret. (Replaces STD 039 000)	8	30-343	
18	Dowel Pin	4	0H1 040 000	
19	Silicone Sealant (Replaces 0H1 042 000 Gasket)	1	000 142 301	
20	Cap Screw; Oil, Drain, Level (Replaces CD0 046 000)	3	30-526	
21	Hex Cap Screw, Breather	1	CD0 046 100	
22	Carbon Bushing, Cover	2	0H1 048 000	
23	Washer, Rotor Retaining	2	0H1 052 000	
24	Lock Clip	2	0H1 053 000	
25	Shim, .002	AR	0H1 054 002	
	Shim, .006	AR	0H1 054 006	
26	Spacer, Gear	2	0H1 055 000	
27	Spacer, Front Bearing	2	0H1 055 001	
28	Spacer, Rear Bearing	2	0H1 055 002	
29	Fiber Washer	2	AD0 064 000	
30	Bearing Retainer, Front	2	0H1 080 000	

NOTES:

1. Contact Factory with Serial Number of pump for Part Number.
2. Standard clearances and finishes for Rotor Part Numbers shown. Contact Factory for optional clearances and finishes.

300I Pump Parts Diagram



PD100-372

300I PUMP and VENTED COVER PARTS PRICE LIST

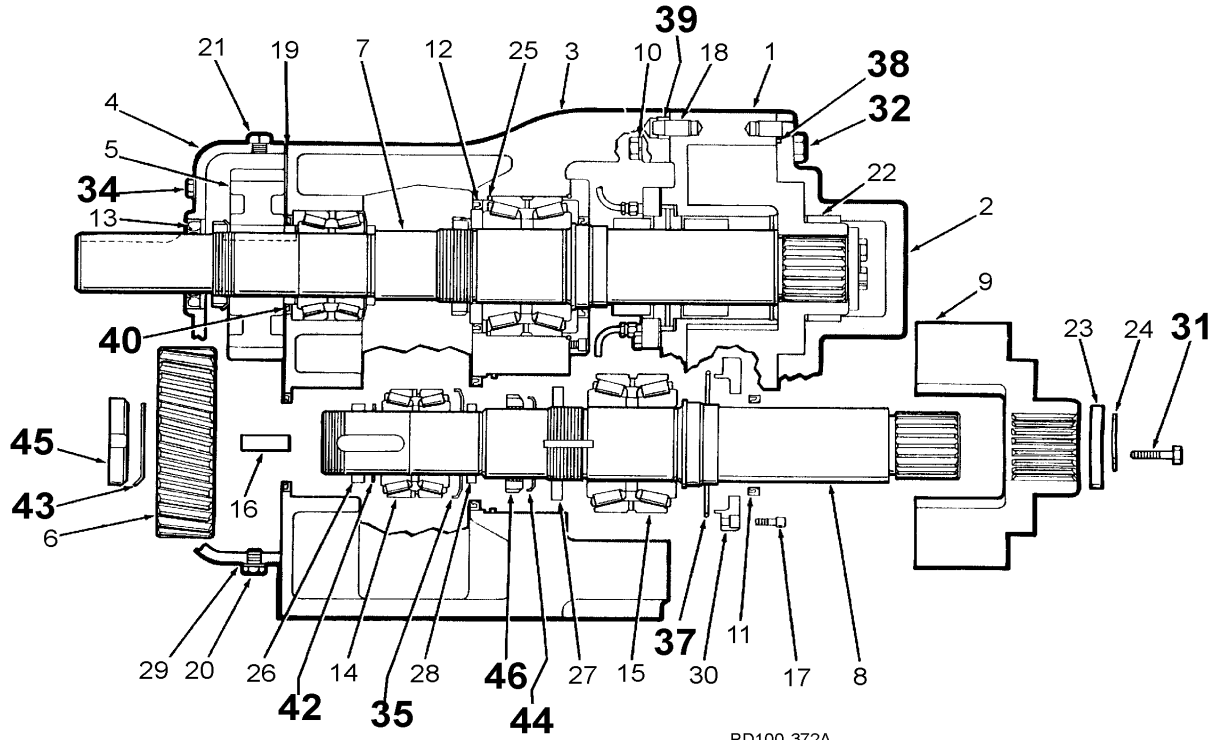
ITEM NO.	DESCRIPTION	QTY. PER PUMP	PART NO.	NOTES
31	HHCS, Rotor Retaining Screw (Replaces STD 081 008)	6	30-127X	
32	HHCS , Pump Cover (Replaces STD 081 009)	4	30-105	
34	HHCS, Bearing Housing Cover (Replaces STD 081 012)	6	30-348	
35	Grease Retainer	2	STD 091 000	
36	Grease Fitting, 1/8	4	BD0 092 000	
37	Silicone Sealant (Replaces B70 137 050 & N70050 O-Ring)	2	000 142 301	
* 38	O-Ring, Pump Cover, Buna N (Replaces GD0 117 000)	1	N70280	
* 38	O-Ring, Pump Cover, FKM (Replaces GD0 117 V00)	1	V70280	
* 38	O-Ring, Pump Cover, Teflon Encapsulated	1	300 117 005	
* 38	O-Ring, Pump Cover, EPDM	1	E70280	
39	Dowel Bushing	2	0H1 116 000	
40	Oil Seal	2	STD 119 000	
41*	Cleanout Plug	1	BD0 121 100	
42	Spacer Seal, Rear Bearing	2	0H1 127 000	
43	Lockwasher, Gear Nut	2	0H1 136 000	
44	Lockwasher, Front Bearing	2	0H1 136 001	
45	Lock Nut, Gear	2	0H1 236 000	
46	Lock Nut, Front Bearing	2	0H1 236 001	
	Rotor Nut Wrench (Replaces 79-3)	2	112829	**
MANUAL VENTED COVER				
101	Relief Cover	1	300 002 004	
102	Adjusting Screw	1	000 060 001	
104	Adjusting Screw Jam Nut	1	36-99	
105	Relief Spring	1	000 076 006	
118	Adapter	1	300 071 000	
119	Hex Head Cap Screw	6	30-349	
* 120	Piston O-Ring, Buna N	1	N70235	
* 120	Piston O-Ring, EPDM	1	E70235	
* 120	Piston O-Ring, FKM	1	V70235	
* 120	Piston O-Ring, FFKM	1	K75235	
* 123	Adapter O-Ring, Buna N	1	N70157	
* 123	Adapter O-Ring, FKM	1	V70157	
* 123	Adapter O-ring, FFKM	1	K75157	
124	Spring, Retainer	1	200 176 000	
125	Piston	1	300 073 000	

NOTES:

** - Used with Sanitary Shaft.

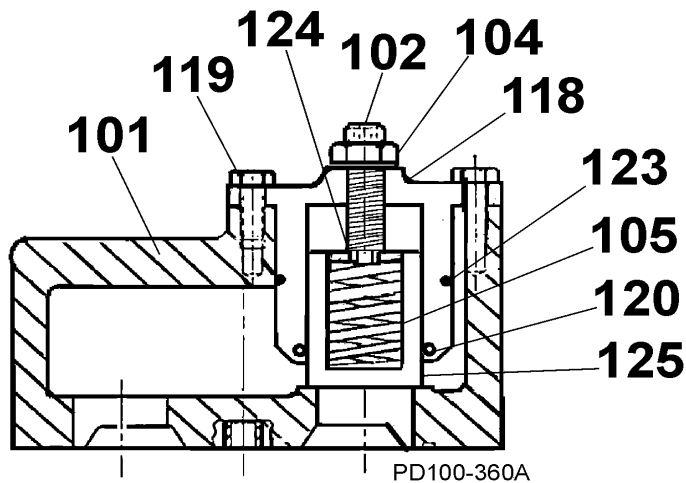
* **Recommended Spare Parts**

300I Pump and Vented Cover Parts Diagram



PD100-372A

Vented Cover Diagram



PD100-360A

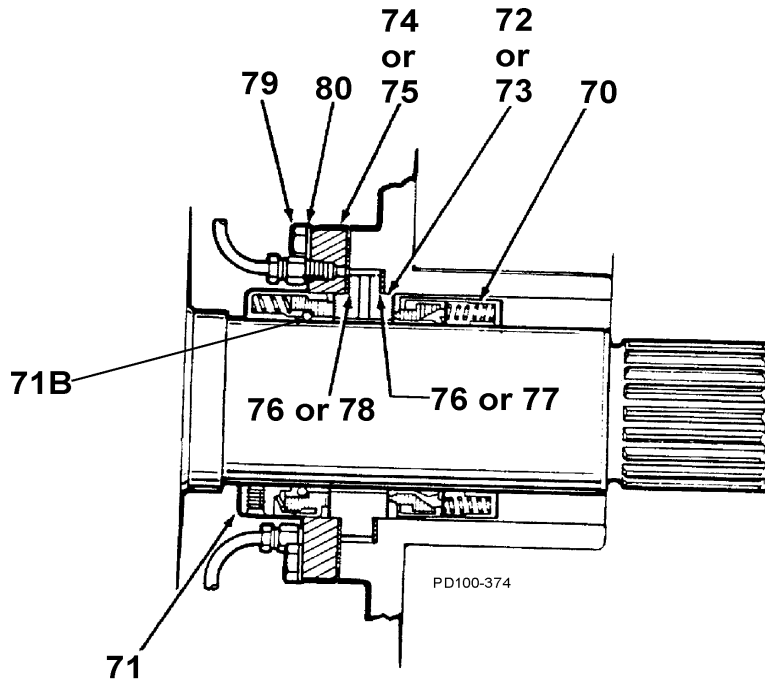
300I MECHANICAL SEAL AND PACKING PARTS PRICE LIST

ITEM NO.	DESCRIPTION	QTY. PER PUMP	PART NO.	NOTES
MECHANICAL SEAL PARTS				
* 70	Crane #9 Inside Seal, Carbon	2	300 114 000	
* 71	Crane #8B2 Outside Seal, Carbon	2	300 114 002	
* 71B	O-Ring, Outer Seal, Shaft, EPDM	2	E70234	
* 71B	O-Ring, Outer Seal, Shaft, FKM	2	V70234	
* 71B	O-Ring, Outer Seal, Shaft, Silicone	2	S75234	
* 72	"T" Seat, Plain, Silicon Carbide	2	300 014 016	
* 72	"T" Seat, Plain, Ceramic	2	300 014 012	
* 72	"T" Seat, Plain, Tungsten Carbide	2	300 014 013	
* 73	"T" Seat, Flushed, Silicone Carbide	2	300 014 031	
* 73	"T" Seat, Flushed, Ceramic	2	300 014 027	
* 73	"T" Seat, Flushed, Tungsten Carbide	2	300 014 028	
* 73	"T" Seat, Flushed, Chrome Oxide	2	300 014 029	
74	Gland, Plain (Flush Gland supplied w/ plugs)	2	300 034 001	
75	Gland, Flushed	2	300 034 001	
* 76	Gasket	4	300 042 001	
* 77	Gasket / Flush, Inner	2	300 042 001	
* 78	Gasket / Flush, Outer	2	300 042 002	
79	HHCS, Gland Bolt, (Replaces 0C1 011 000)	8	30-60	
80	Lockwasher, (Replaces 0C1 011 100)	8	43-28	
PACKING PARTS				
50	Packing, Teflon Impregnated Acrylic	12 Rings	300 033 000	
* 51	Sleeve, SS	2	300 098 000	
* 51	Sleeve, Ceramic Coated	2	300 098 003	
52	Gland	2	300 004 000	
* 53	O-Ring, Shaft, Buna N (Replaces B70 137 149)	2	N70149	
* 53	O-Ring, Shaft, EPDM	2	E70149	
* 53	O-Ring, Shaft, FKM	2	V70149	
54	Lantern Ring	2	300 047 000	
55	Packing Spacer (Replaces 300 032 000)	8	20-138	
56	Stud, Packing Gland	4	0C1 050 000	
57	Hex Nut (Replaces 0C1 050 100)	4	36-45	
58	Retainer Ring	2	300 051 000	
59	Retaining Spring (Replaces 300 087 000)	2	40070	

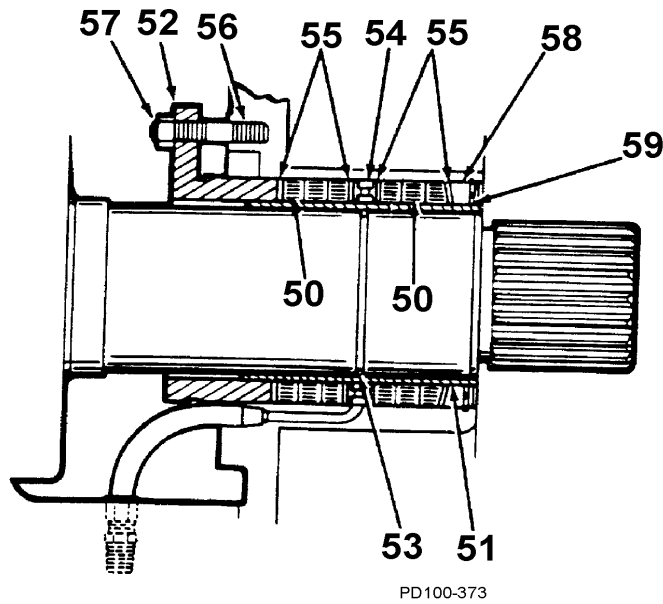
NOTES:

* Recommended Spare Parts

300I Mechanical Seal and Packing Parts Diagram



Mechanical Seal Diagram



Packing Diagram

3UG PUMP PARTS PRICE LIST

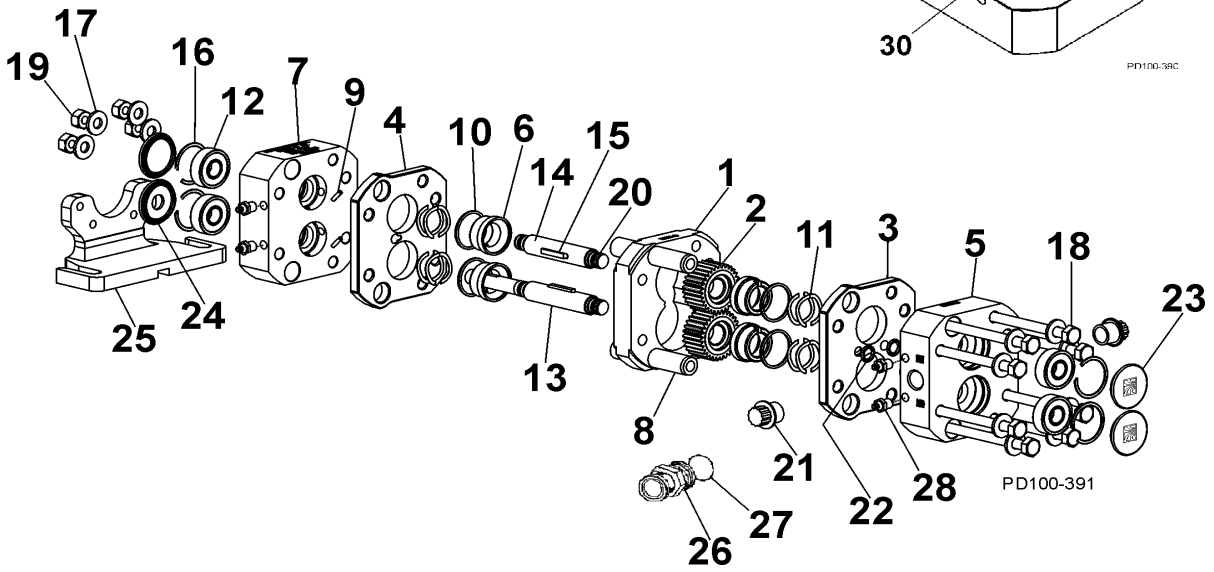
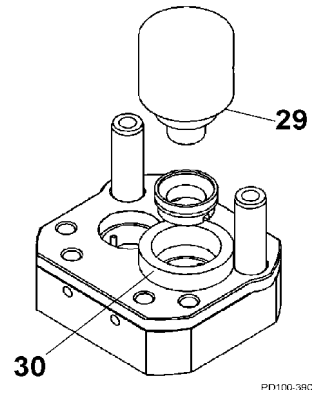
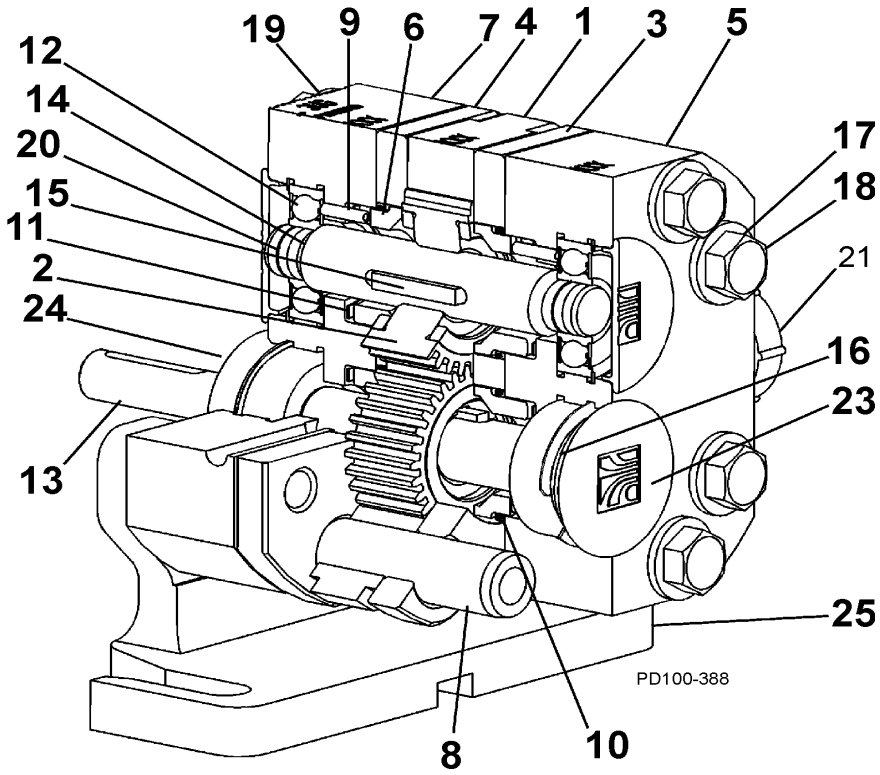
ITEM NO.	DESCRIPTION	QTY. PER PUMP	PART NO.	NOTES	
1	440C Body (17-4PH Body Obsolete)	1	108803	1	
* * * *	2	Alloy 88 Gear w/ Ceramic Seal Inserts, STD Clearance	2	105819	1, 26
	Alloy 88 Gear w/ Ceramic Seal Inserts, Hot Clearance	2	112791	1, 26	
	17-4PH Gear w/ Ceramic Seal Inserts, STD Clearance	2	105823	1	
	17-4PH Gear w/ Ceramic Seal Inserts, Hot Clearance	2	114429	1	
3	Wear Plate, Front, Ceramic	1	109300		
4	Wear Plate, Rear, Ceramic	1	109301		
* *	5	Cover, Front, SAE Port, 17-4PH	1	109423	1
	Cover, Front, 1/4 BSP Port, 17-4PH	1	110924	1	
* *	6	Stationary Seal , Ceramic	4	105812	
	7	Cover, Rear, 17-4PH	1	109424	
	8	Dowel, Hollow	2	105839	
	9	Roll Pin	4	30-124	
* * * * *	10	O-Ring, Stationary Seal, EPDM	4	E70020	
O-Ring, Stationary Seal, FKM		4	V70020		
O-Ring, Stationary Seal, Chemraz		4	C60020		
* *	11	Wave Spring	8	105813	
	12	Bearing (Replaces 108802)	4	112863	
	13	Shaft, Drive	1	105806	
	14	Shaft, Idler	1	105807	
	15	Key, Drive	2	107375	
	16	Retaining ring	4	105820	
	17	Washer, 1/4" Plain	12	43-27	
	18	Hex Head Cap Screw, 1/4-20	8	30-591	
	19	Hex Nut, 1/4-20	8	36-53	
* *	20	O-Ring, Shaft, Nitrile	4	N70010	
* *	21	Cap Plug, SAE Port	2	107478	1
		Cap Plug, 1/4 BSP Port	2	110925	1
* * *	22	O-Ring, Oil Port, EPDM	2	E70011	
O-Ring, Oil Port, FKM		2	V70011		
O-Ring, Oil Port, FFKM		2	K75011		
	23	Cap, Bearing	3	109425	
	24	Cap, Bearing, Drive shaft	1	109426	
	25	Foot, Mounting, SS	1	109805	
	26	S-Line Adapter (Fits SAE Port)	2	108217	1
* *	27	O-Ring, S-Line Adapter	2	Use Item 22	1
	28	Grease Fitting (For BSP Ported Pump)	4	112465	1
	29	Seal Insertion Plug	1	109221	27
	30	Seal Insertion Sleeve	1	109222	27

NOTES:

1. Contact Factory with Serial Number of pump to verify Part Number.
2. Standard clearances for Rotor Part Number shown. Contact Factory for optional clearance.
26. If Alloy 88 Gears need to be replaced, Item 1 Body must be upgraded to 440C.
27. Recommended tool.

*** Recommended Spare Parts**

3UG Pump Parts Diagram



www.spxprocessequipment.com

***Online support is
a mouse click away***



Get results.



**Waukesha
Cherry-Burrell**

® An SPX Process Equipment Operation

24 Hour Access to the latest materials:

- ❑ *Operation & Maintenance Manuals*
- ❑ *Industry Applications*
- ❑ *Material Test Reports*
- ❑ *Contact Information*
- ❑ *Literature Support*
- ❑ *Product Offerings*

Downloads Available For Virtually All WCB Literature!



THE WILLIAMS - CARVER COMPANY, INC.

4001 MISSION RD P.O. BOX #3140

KANSAS CITY, KS 66103-0140

Office (913) 236-4949 Fax (913) 236-9331

www.williamscarver.com

SPX Process Equipment

611 Sugar Creek Road • Delavan, WI 53115 USA

Phone: (800) 252-5200 or (262) 728-1900 **Fax:** (800) 252-5012 or (262) 728-4904

Website: www.spxprocessequipment.com **Email:** info@processequipment.spx.com

PL5061