

SANITARY BALL VALVES

3-PC SANITARY SERIES



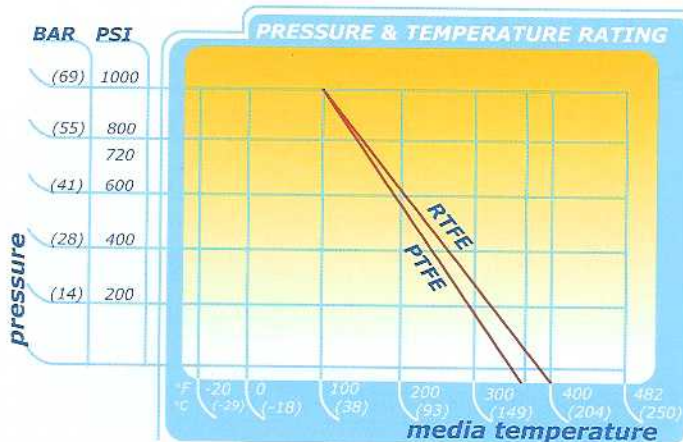
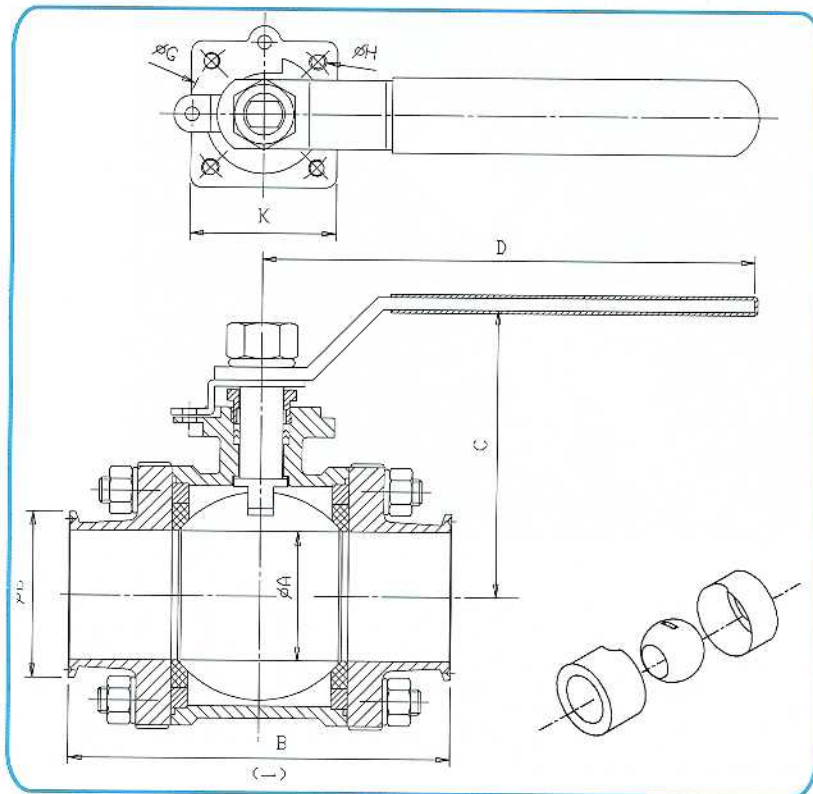
EA - 303 - SN



FEATURES / SPECIFICATIONS:

- Investment Cast 316L stainless steel construction
- 3-Pc split body design facilitates inspection and easy inline repair
- Full port flow to tube I.D./O.D. for sanitary applications
- Highly polished, 8-12 Ra finish for use in food and pharmaceutical applications
- Meets FDA & USDA requirements when used with body cavity fillers
- 3-pc, V-ring "chevron" stem packing for better sealing and lower torque
- Blow out proof, bottom entry stem design
- ISO 5211 Mounting Pad
- Regular and Cavity Filled designs available
- Sizes: 1/2" - 4"

Item	Parts Name	Material	Qty
1	body	CF8M/316	1
2	end caps	CF8M/316	2
3	seats	PTFE	2
4	ball	SUS 316	1
5	stem	SUS 316	1
6	gasket	PTFE	1
7	seal	PTFE	1
8	body seal	PTFE	2
9	packing gland	SUS 304	1
10	handle	SUS 304	1
11	lever spring washer	SUS 304	1
12	lever nut	SUS 304	1
13	plastic coating	PVC	1
14	bolts	SUS 304	4.6
15	bolts nut	SUS 304	8.12
16	spring washer	SUS 304	8.12
17	stop plate	SUS 304	1
18	center ring	SUS 316	2
19	gland bush	PTFE	1



Size	A	B	C	D	E	G	H	K
1/2"	9.5	88.9	48.7	110	25.4	36	M5	36
3/4"	15.9	101.6	54.7	110	25.4	36	M5	36
1"	22.1	114.3	65.3	145	50.4	42	M5	42
1-1/2"	34.8	139.7	84	180	50.4	50	M6	50
2"	47.5	158.8	93.3	180	63.9	50	M6	50
2-1/2"	60.1	177.8	133.4	230	77.5	70	M8	68
3"	73.1	228.6	160	300	90.9	102	M10	96
4"	97.4	241.3	175.2	300	118.9	102	M10	96

EA - 303 - SN



THE WILLIAMS - CARVER COMPANY, INC.
 4001 MISSION RD P.O. BOX #3140
 KANSAS CITY, KS 66103-0140
 Office (913) 236-4949 Fax (913) 236-9331
 www.williams-carver.com