

INDUSTRIAL BALL VALVES

3-PC DIRECT MOUNT SERIES



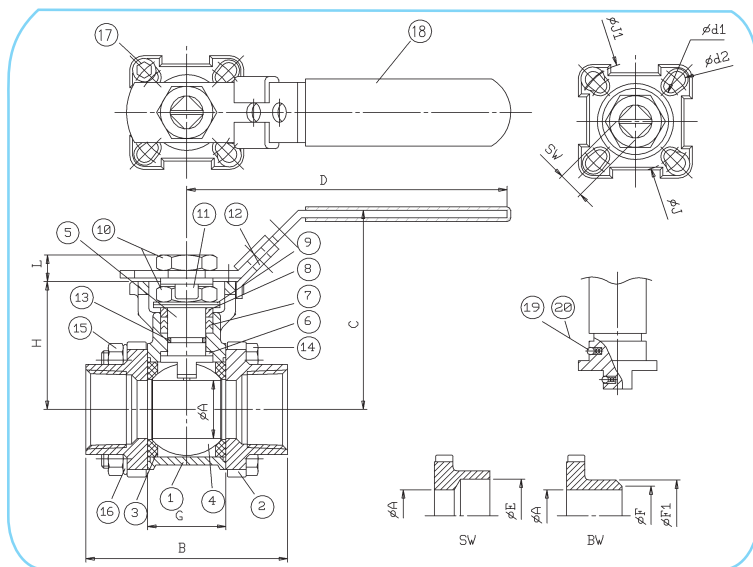
EA-33NF-SE/SW/BW



FEATURES / SPECIFICATIONS:

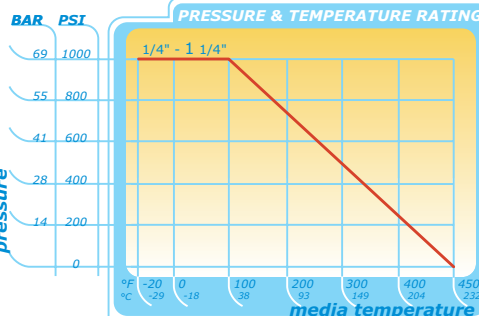
- 316 Stainless Steel investment casting body and components
- 3-pc full-port, split body design
- Maintenance free live loaded, self adjusting stem packing
- Reduces routine maintenance costs
- Optimum sealing for high cycle applications
- Direct Mounting ISO 5211 mounting pad and anti-static device
- 3-pc, V-ring chevron packing and belleville washers provide reduced torque and is a secondary defense against leaking
- Bottom entry blow-out proof stem for maximum safety
- 100% tested and inspected
- Various seating materials and styles available
- Optional fire safe design to API 607.1 available
- Working pressure 1000 psi W.O.G.
- End Connections: SE -- Threaded (NPT) ANSI B2.1
BW -- Butt-Weld ANSI B16.25
SW -- Socket-Weld ANSI B16.11
- Sizes: 1/4" - 4"

| Item | Part name | Material | Qty |
|------|-------------------|----------|-----|
| 1 | body | CF8M/316 | 1 |
| 2 | end caps | CF8M/316 | 2 |
| 3 | seatstem | PTFE | 2 |
| 4 | ball | SUS 316 | 1 |
| 5 | stem | SUS 316 | 1 |
| 6 | gasket | PTFE | 1 |
| 7 | seal | PTFE | 1 |
| 8 | gland ring | SUS 304 | 2 |
| 9 | belleville washer | SUS 301 | 2 |
| 10 | lever nut | SUS 304 | 1 |
| 11 | locking tab | SUS 304 | 1 |
| 12 | handle | SUS 304 | 1 |
| 13 | o ring | VITON | 1 |
| 14 | bolts | SUS 304 | 4 |
| 15 | bolts nut | SUS 304 | 4 |
| 16 | spring washer | SUS 304 | 4 |
| 17 | stop screw | SUS 304 | 1 |
| 18 | plastic coating | PVC | 1 |
| 19 | static device | SUS 316 | 2 |
| 20 | spring | SUS 316 | 2 |



DIMENSIONS (mm)

| size | A | B | C | D | E | F | F1 | G | J | J1 | SW | d1 | d2 | H | L | ISO5211 |
|--------|------|-----|-------|-----|-------|-------|------|-------|----|-----|----|----|----|-------|------|---------|
| 1/2" | 16 | 75 | 70.9 | 110 | 21.9 | 17 | 22.4 | 25.2 | 36 | 42 | 9 | 6 | 6 | 42.3 | 8 | F03/F04 |
| 3/4" | 20 | 80 | 73.4 | 110 | 27.2 | 22 | 28.2 | 27.7 | 36 | 42 | 9 | 6 | 6 | 44.8 | 8 | F03/F04 |
| 1" | 24.5 | 90 | 84.1 | 135 | 34 | 28 | 33.7 | 33 | 42 | 50 | 11 | 6 | 7 | 54 | 10 | F04/F05 |
| 1-1/4" | 32 | 110 | 89.3 | 135 | 42.7 | 37 | 44 | 41.2 | 42 | 50 | 11 | 6 | 7 | 59.2 | 10 | F04/F05 |
| 1-1/2" | 38 | 120 | 109.5 | 165 | 48.8 | 43 | 50.8 | 49.3 | 50 | 70 | 14 | 7 | 9 | 73.5 | 14.8 | F05/F07 |
| 2" | 50 | 140 | 118.9 | 165 | 61.3 | 54 | 62.6 | 63.6 | 50 | 70 | 14 | 7 | 9 | 82.9 | 14.8 | F05/F07 |
| 2-1/2" | | 190 | 155 | 300 | 77 | 76.1 | | 82.1 | 70 | 102 | 17 | 9 | 11 | 107 | 17.1 | F07/F10 |
| 3" | | 220 | 165 | 335 | 90 | 88.9 | | 95.8 | 70 | 102 | 17 | 9 | 11 | 117.3 | 17.1 | F07/F10 |
| 4" | | 270 | 180 | 335 | 115.5 | 114.3 | | 117.8 | 70 | 102 | 17 | 9 | 11 | 132.3 | 17.1 | F07/F10 |



EA-33NF-SE/SW/BW



THE WILLIAMS - CARVER COMPANY, INC.
4001 MISSION RD P.O. BOX #3140
KANSAS CITY, KS 66103-0140
Office [913] 236-4949 Fax [913] 236-9331
www.williamscarver.com