

# INDUSTRIAL BALL VALVES

## 2-PC HEAVY DUTY SERIES



**EA-201A-SE**

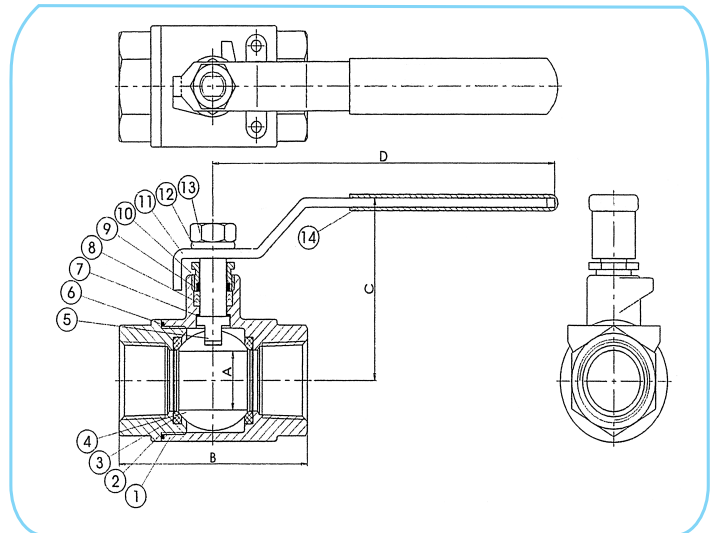


### FEATURES / SPECIFICATIONS:

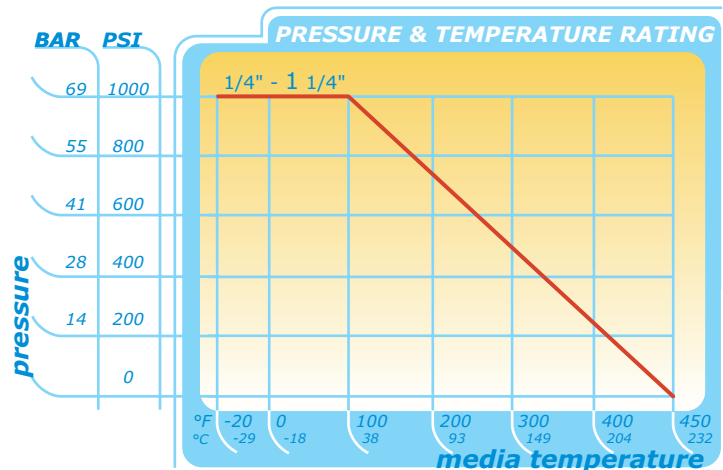
- Investment Cast 316 stainless steel
- Full-port, 2-pc design
- Heavy duty body design for intense chemical and industrial applications
- 3-pc, V-ring stem packing for better sealing and lower torque
- No lubrication required for life of valve
- Blow out proof, bottom entry stem design
- Working pressure to 1000 psi W.O.G.
- Threaded (NPT) ends to ANSI B2.1
- Sizes: 1/4" - 4"

\*3" & 4" sizes are direct mounting

Size		A		B		C		D	
mm	inch	mm	inch	mm	inch	mm	inch	mm	inch
8	1/4	11	0.433	56	2.205	49.2	1.937	103	4.055
10	3/8	12.5	0.492	56	2.205	49.2	1.937	103	4.055
15	1/2	15	0.591	62.4	2.457	53.9	2.122	103	4.055
20	3/4	20	0.787	76.6	3.016	63.3	2.492	109	4.291
25	1	25	0.984	91.6	3.606	78.2	3.079	145	5.709
32	1 1/4	32	1.260	98.3	3.870	82.3	3.240	145	5.709
40	1 1/2	38	1.496	117.7	4.634	93.0	3.661	180	7.087
50	2	50	1.969	135.2	5.323	98.7	3.886	180	7.087
65	2 1/2	65	2.559	166.2	6.543	131	5.157	230	9.055
80	3	80	3.150	198.8	7.827	143.9	5.665	300	11.81
100	4	100	3.937	235.8	9.283	163.9	6.453	400	15.75



Item	Part name	Material	Qty
1	body	ASTM A216 Gr.WCB	1
2	end cap	ASTM A216 Gr.WCB	1
3	seat	PTFE + 15% G.F.	2
4	ball	ASTM A351. GR.CF8	1
5	stem	SS304	1
6	joint gasket	PTFE	1
7	thrust washer	PTFE	1
8	packing	PTFE	2
9	gland bush	PTFE	1
10	packing gland	SS304	1
11	handle	SS304	1
12	spring washer	SS304	1
13	nut	SS304	1
14	handle cover	VINYL	1



**EA-201A-SE**



**THE WILLIAMS - CARVER COMPANY, INC.**

4001 MISSION RD P.O. BOX #3140  
KANSAS CITY, KS 66103-0140

Office (913) 236-4949 Fax (913) 236-9331

www.williamscarver.com