

# INDUSTRIAL BALL VALVES

## 1-PC SERIES



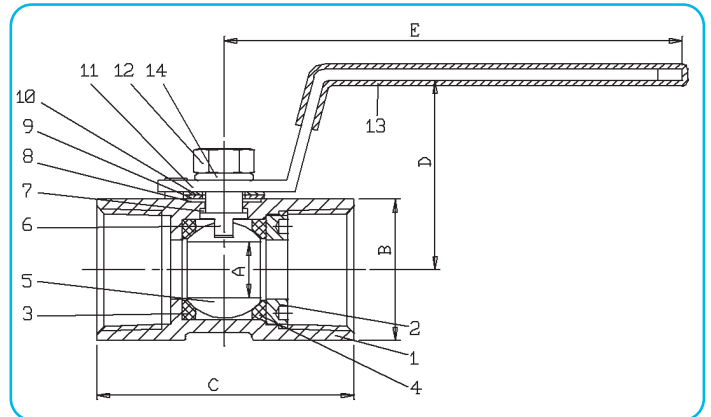
### FEATURES / SPECIFICATIONS:

- General Purpose Industrial Application
- 1 Piece 316 Stainless Steel investment cast unibody
- Locking handle
- 800-1000 WOG working pressure
- Reduced port design
- For use up to 450 °F
- ANSI B16.34, ASTM-A351
- Sizes: 1/4"-2"



**THE WILLIAMS - CARVER COMPANY, INC.**  
 4001 MISSION RD P.O. BOX #3140  
 KANSAS CITY, KS 66103-0140  
 Office (913) 236-4949 Fax (913) 236-9331  
[www.williamscarver.com](http://www.williamscarver.com)

| Size |       | A    |       | B    |       | C     |       | D    |       | E   |       |
|------|-------|------|-------|------|-------|-------|-------|------|-------|-----|-------|
| mm   | inch  | mm   | inch  | mm   | inch  | mm    | inch  | mm   | inch  | mm  | inch  |
| 8    | 1/4   | 5    | 0.196 | 17.1 | 0.673 | 38.7  | 1.524 | 27.2 | 1.071 | 58  | 2.283 |
| 10   | 3/8   | 7    | 0.276 | 20.7 | 0.815 | 44.2  | 1.74  | 29   | 1.142 | 70  | 2.756 |
| 15   | 1/2   | 9    | 0.354 | 24.8 | 0.976 | 55.6  | 2.189 | 36.5 | 1.437 | 85  | 3.346 |
| 20   | 3/4   | 12.5 | 0.492 | 31.4 | 1.236 | 62.1  | 1.445 | 39.8 | 1.567 | 85  | 3.346 |
| 25   | 1     | 15   | 0.59  | 38.2 | 1.504 | 68.9  | 2.713 | 49.1 | 1.933 | 100 | 3.937 |
| 32   | 1 1/4 | 20   | 0.787 | 47   | 1.85  | 78.2  | 3.079 | 53.5 | 2.106 | 100 | 3.937 |
| 40   | 1 1/2 | 24.5 | 0.965 | 53   | 2.087 | 86    | 3.386 | 61.5 | 2.421 | 125 | 4.921 |
| 50   | 2     | 32   | 1.26  | 65.2 | 2.567 | 102.7 | 4.043 | 67.6 | 2.661 | 125 | 4.921 |



| Item | Parts Name          | Material              | Qty |
|------|---------------------|-----------------------|-----|
| 1    | BODY                | ASTM A351.CF8M/SS316  | 1   |
| 2    | SEAT RETAINER       | SS316                 | 1   |
| 3    | SEATS               | PTFE + 15% G.F.       | 1   |
| 4    | SPECIAL SEAT        | PTFE + 15% G.F.       | 1   |
| 5    | BALL                | ASTM A351. CF8M/SS316 | 1   |
| 6    | STEM                | SS316                 | 1   |
| 7    | GASKET              | PTFE + 15% G.F.       | 1   |
| 8    | THIN GASKET         | PTFE + 15% G.F.       | 1   |
| 9/10 | FLAT WASHER         | 420J1                 | 1   |
| 11   | SPRING WASHER       | 420J1                 | 1   |
| 12   | HANDLE              | SS304                 | 1   |
| 13   | PREVENT LOOSE NUT   | SS304                 | 1   |
| 14   | HANDLE COVER        | VINYL                 | 1   |
|      | LEVEL SPRING WASHER | SS304                 | 1   |

